

**Series 6, Built-in microwave oven with hot air, 60 x 45 cm, Black CMA585GB0B**



**The built-in compact microwave defrosts, heats and cooks helping you prepare food in the kitchen.**

- **Hotair:** perfect results on one level thanks to optimal distribution of heat.
- **AutoPilot 15:** every dish is a perfect success thanks to 15 pre-set automatic programmes.
- **White LCD display control:** easy-to-use thanks to direct access to additional functions, temperature recommendation and temperature indication.
- **Pop-out controls:** Make the front of the oven easy to clean and give it a sleek look.
- **White LCD display control:** easy-to-use thanks to direct access to additional functions, temperature recommendation and temperature indication.

**Included accessories**

1 x grid

**Optional accessories**

- HEZ317000 Pizza pan, enamelled
- HEZ86D000 Steamer Cooker Accessory for Microwave
- HEZ915003 Glass roasting dish, 5,4 L

**Technical Data**

Additional function: ..... Microwave combination  
 Type of control: ..... Electronic  
 Dimensions: ..... 454x594x570 mm  
 Cavity dimensions: ..... 220 x 420 x 420 mm  
 Length electrical supply cord: ..... 150 cm  
 Net weight: ..... 34.3 kg  
 Gross weight: ..... 39.1 kg  
 EAN code: ..... 4242005319961  
 Max. microwave power level: ..... 900 W  
 Connection rating: ..... 3350 W  
 Fuse protection: ..... 16 A  
 Voltage: ..... 230-240 V  
 Frequency: ..... 50 Hz  
 Plug type: ..... fixed connection (electrical connection by electrician)  
 Included accessories: ..... 1 x grid



## **Series 6, Built-in microwave oven with hot air, 60 x 45 cm, Black CMA585GB0B**

**The built-in compact microwave defrosts,  
heats and cooks helping you prepare food  
in the kitchen.**

- Appliance dimension (hxwx): 454 mm x 594 mm x 570 mm
- Niche dimension (hxwx): 450 mm - 458 mm x 560 mm - 568 mm x 550 mm
- Ventilation requirements – please refer to the installation manual prior to fitting

### **Features**

- Built-in Microwave with hot air function with the heating functions: Microwave, Hot Air Cooking, Hotair grilling, full width variable grill, keep warm
- 900 W maximum microwave power and the following options: 180 W, 360 W, 600 W, 90 W, 900 W
- Temperature range 40 °C - 230 °C
- 1.75 KW grill function
- Grill and microwave power levels 90 W, 180 W, 360 W, 600 W combinable
- Microwave may be used separately or in combination
- Cavity volume: 44 l

### **Design**

- stainless steel, Glass base cavity with Glass base, stainless steel

### **Cleaning**

- Cleaning Assistance: hydrolyse manual

### **Programmes/functions**

- LCD Display, White
- Electronic clock timer
- Rotary dial, Retractable control dials, Touch controls, round, Start button With Steel Trim
- User-friendly electronics: extremely easy and comfortable operation
- AutoPilot, 15
- 4 defrost and 3 cooking programmes in microwave function, 8 programmes for combination function
- Fast pre-heating function
- LED light
- Stainless-steel fan
- Drop down door
- Straight bar handle
- Touch key operation

### **Accessories**

- 1 x grid

### **Features**

- Control panel lock
- Automatic safety switch off
- Door contact switch
- Integral cooling fan

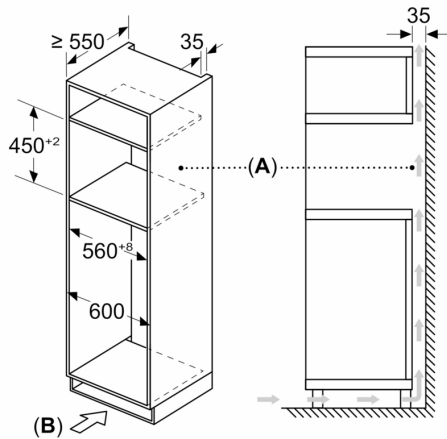
### **Technical information**

- 150 cm Cable length
- Total connected load electric: 3.35 KW
- Nominal voltage: 230 - 240 V
- installation in tall housing

### **Performance/technical information**

## Series 6, Built-in microwave oven with hot air, 60 x 45 cm, Black CMA585GB0B

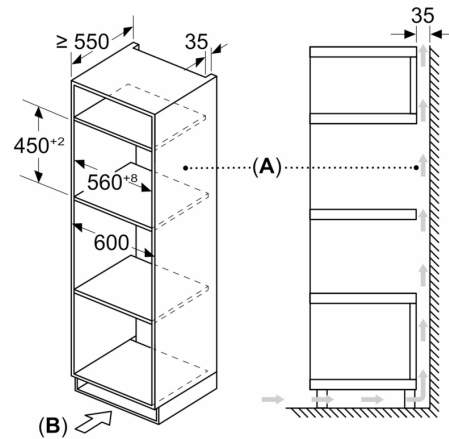
Measurements in mm



A: Back wall open

B: Ventilation space in the plinth  $\geq 100 \text{ cm}^2$

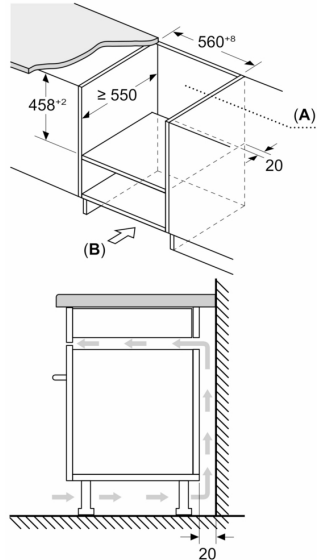
Measurements in mm



A: Back wall open

B: Ventilation space in the plinth  $\geq 100 \text{ cm}^2$

Measurements in mm



A: Back wall open

B: Ventilation space in the plinth  $\geq 100 \text{ cm}^2$

Measurements in mm

