

**Serie | 8, steamer, 60 x 45 cm,
Stainless steel
CDG634BS1B**



Included accessories

1 x steam container, punched, size L, 1 x steam container, unpunched, size L, 1 x sponge

Optional accessories

HEZ660060 : Strip
HEZ6SCCO : Cookbook
HEZ915003 : Glass roasting dish, 5,4 L

The steamer: prepare foods especially gently, retaining the aroma and vitamins.

- **Steam function:** for gentle, healthy food preparation.
- **TFT display control:** easy-to-use thanks to the control ring with full text and symbols.
- **Drop Down door with SoftOpen and SoftClose:** the oven door opens and closes gently and quietly

Technical Data

Color / Material Front :	Stainless steel
Built-in / Free-standing :	Built-in
Required niche size for installation (HxWxD) :	450-455 x 560-568 x 550
Dimensions :	455 x 594 x 548
Dimensions of the packed product (HxWxD) (mm) :	520 x 650 x 710
Control Panel Material :	Stainless steel
Door Material :	Glass
Net weight (kg) :	24.773
Approval certificates :	CE, VDE
Length electrical supply cord (cm) :	150
EAN code :	4242002810317
Connection Rating (W) :	1750
Current (A) :	10
Voltage (V) :	220-240
Frequency (Hz) :	60; 50
Plug type :	GB plug
Approval certificates :	CE, VDE



Serie | 8, steamer, 60 x 45 cm, Stainless steel **CDG634BS1B**

The steamer: prepare foods especially gently, retaining the aroma and vitamins.

Design

- 2.5"-TFT colour and text display with direct select buttons
- Bosch control wheel
- Straight bar handle
- Cavity inner surface: stainless steel

Features

- Digital temperature display with proposal
Actual temperature display
Heating-up indicator
AutoPilot
- Control panel lock
Automatic safety switch off
Start button
Door contact switch
- AutoPilot, 20
- Electronic clock timer
- Main on/off switch
- Round light
- 3 shelf positions
- Water tank empty indicator
- Integral cooling fan

Cleaning

- Full glass inner door

Programmes/functions

- Additional heating methods with steam: Steam cooking, reheating with steam, Dough proving, defrost
- Additional functions:
Descaling programme
autom. boiling point detection

Standard accessories

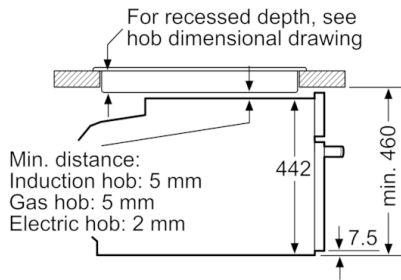
- 1 x steam container, punched, size L, 1 x steam container, unpunched, size L, 1 x sponge

Performance/technical information

- Cavity volume: 38 l
- 1.3 l Water tank
- 150 cm Cable length
- Total connected load electric: 1.75 KW
- Nominal voltage: 220 - 240 V
- Appliance dimension (hxwxh): 455 mm x 594 mm x 548 mm
- Niche dimension (hxwxh): 450 mm - 455 mm x 560 mm - 568 mm x 550 mm
- Please refer to the dimensions provided in the installation manual

Serie | 8, steamer, 60 x 45 cm, Stainless steel CDG634BS1B

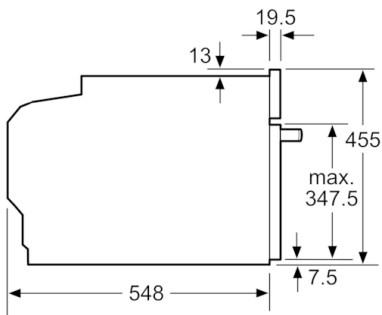
Installation with a hob.



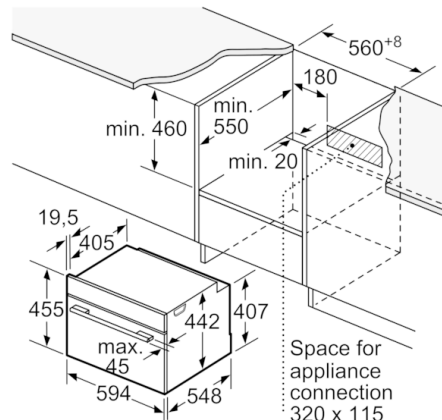
measurements in mm

If the compact appliance will be installed underneath a hob, the following worktop thicknesses (including substructure if necessary) must be taken into account.

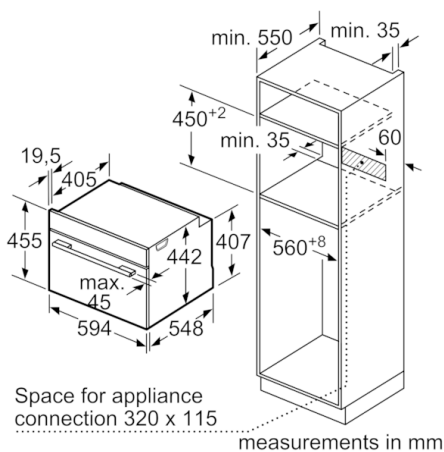
Hob type	min. worktop thickness	
	fitted	flush
Induction hob	42 mm	43 mm
Full surface Induction hob	52 mm	53 mm
Gas hob	32 mm	43 mm
Electric hob	32 mm	35 mm



measurements in mm



measurements in mm



measurements in mm