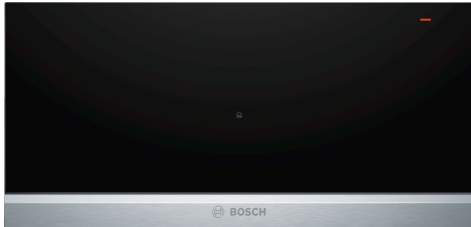


**Series 8, Warming drawer, 60 x 29 cm, Stainless steel
BID630NS1B**



Optional accessories

HEZ6WCC0 Cookbook

- **Push-pull mechanism:** easy opening and closing thanks to a clever spring mechanism.
- **Cleaning convenience:** Easy to clean hotplate made of tempered glass.

Technical Data

Built-in / Free-standing: Built-in
 Maximum number of plates:40
 Maximum number of espresso cups:192
 Dimensions: 290 x 594 x 548 mm
 Dimensions of the packed product (HxWxD): 350 x 650 x 660 mm
 Min. required niche size for installation (HxWxD):290 x 560 x 550 mm
 EAN code:4242002813936
 Fuse protection:10 A
 Voltage: 220-240 V
 Frequency: 60; 50 Hz
 Plug type: GB plug



Series 8, Warming drawer, 60 x 29 cm, Stainless steel BID630NS1B

Design

- Push-pull opening mechanism
- Easy to clean toughened glass heating plate
- Can accommodate up to:
 - -40plates
 - -192 espresso cups
- Rotary dial
- Temperature control in 4 levels: ca. 30°C - 80°C (glass surface temperature)

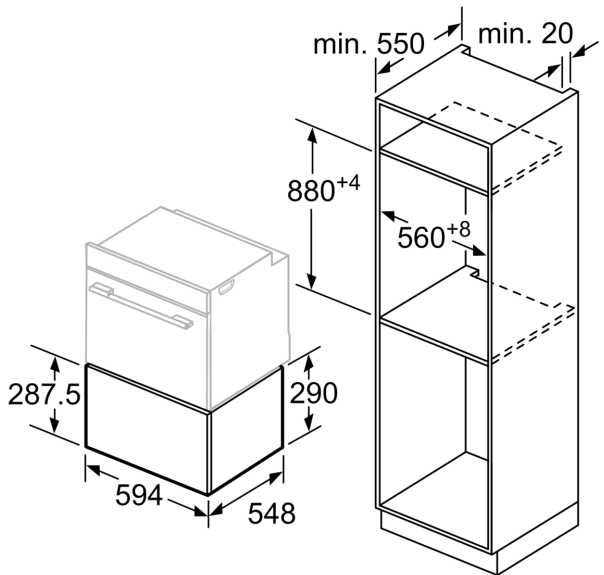
Programmes/functions

- 5 functions: dough proving thawing of delicate foods keeping drinks and food warm pre-warming of crockery gentle cooking

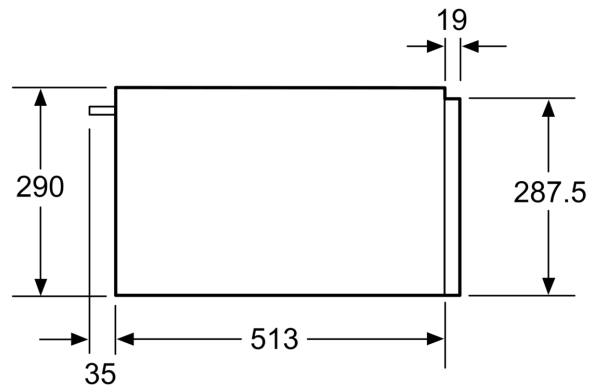
Performance/technical information

- Cavity volume: 52 l
- Loading up to 25 kg
- 150 cm Cable Cable length
- Total connected load electric: 0.81 KW
- Nominal voltage: 220 - 240 V
- Appliance dimension (hxwxd): 290 mm x 594 mm x 548 mm
- Niche dimension (hxwxd): 290 mm x 560 mm - 568 mm x 550 mm
- Please refer to the dimensions provided in the installation manual

**Series 8, Warming drawer, 60 x 29 cm, Stainless steel
 BID630NS1B**



measurements in mm



measurements in mm

Ovens with an appliance height of 595 mm can be installed above a warming drawer. An intermediate floor is not required.