

**Series 6, washer dryer, 10/7 kg, 1400 rpm
WNG25401HK**



Bosch Triple Hygiene Guard Washer Dryer : Guard Health.Guard Fabric.Gaurd Machine

- **Anti-Vibration Side Panels** reduce vibrations and ensure greater stability during the washing and spinning process
- **Active Water Plus:** For highly efficient use of water even with small loads thanks to automatic load detection.

Maximum capacity in kg in a Wash/Dry cycle (EU 2017/1369): 7.0
 Maximum capacity in kg in a wash cycle (EU 2017/1369): 10.0
 Built-in / Free-standing: Free-standing
 Removable top: No
 Door opening: Left
 Length electrical supply cord: 210.0 cm
 Dimensions of the product: 848x598x590 mm
 Net weight: 79.5 kg
 Drum volume: 65 l
 Connection Rating: 2300 W
 Fuse protection: 10 A
 Voltage: 220-240 V
 Frequency: 50 Hz
 Energy consumption (wash and dry of full wash load): 0.75 kWh
 Water consumption (wash and dry full wash load): 15 l



WMZ2200 Floor securing component
 WMZ2381 Extension for cold water inlet /Aquastop

**Series 6, washer dryer, 10/7 kg, 1400 rpm
WNG25401HK**

Bosch Triple Hygiene Guard Washer Dryer : Guard Health.Guard Fabric.Gaurd Machine

- WNG25401HK

Performance

- Capacity: 10 kg
- Drying capacity: 7 kg
- Maximum spin speed: 1400 rpm

Special Features

- AirWash+ #: 99.99% virus removal and 99.9% bacteria removal without any disinfectant
- Hygiene Care program* : pretreat clothes in a dry condition then follow a low temperature washing to protect fabric. It performs 99.99% bacteria and virus removal.
- Drum Care program^: 99.99% bacteria and mildew removal
- AllergyPlus programme: specially developed for the needs of allergy sufferers.
- AntiStain: Provides the most efficient way to wash away the most common 4 types of stains (Blood, Grease & Oil, Sand, Sweat)
- AutoDry: automatically dries to the exact degree of dryness you want.
- EcoSilence Drive™ with Anti-vibration sidewalls design
- VarioDrum: gentle and efficient washing
- Drum interior light
- varioSpeed
- Automatic load detection for precise detection of loaded laundry to adjust automatically the amount of water is needed in every wash.
- Buzzer
- Large LED-Display for programme status indication
- DrumClean with reminder function

Programmes

- Cottons , Cottons Eco , Mix , AllergyPlus , My Time , Spin/Drain , Delicates/Silk, Auto Dry , Dry Hygiene , Shirts , Wash & Dry 60' , Wool , Rinse , Drum Care

Additional options

- Wash / Dry / Wash + Dry selection , Temperature selection , Spin speed selection , Anti-Stain (Blood/Butter/Sand/Sweat) , Rinse , Hygiene Care , Finish In time selection / My Time , SpeedPerfect , Start/Reload

Key features

- Childproof

Technical Specification

- Dimensions (H x W x D): 84.8 cm x 59.8 cm x 59.0 cm
- *Exclude door frame or control panel thickness
- Appliance depth: 59.0 cm

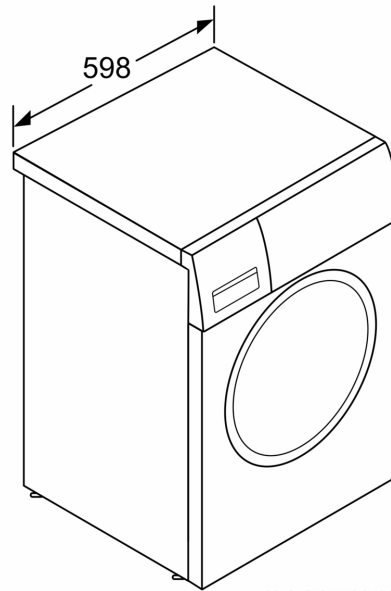
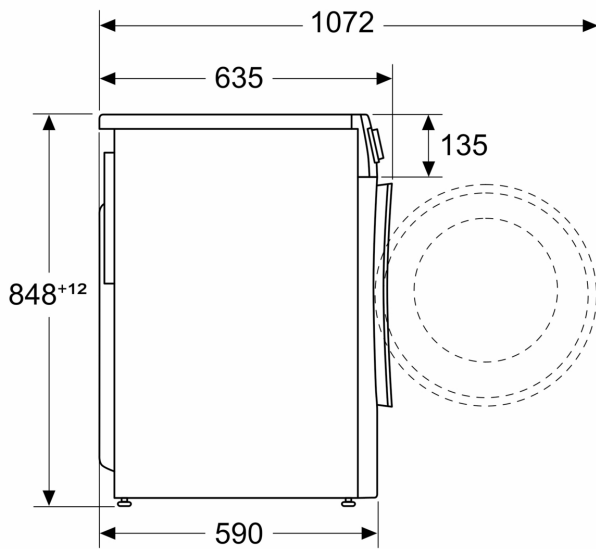
#99.99% reduction on Virus (Poliomyelitis Sabin 1 strain) and 99.9% reduction on Escherichia coli, Staphylococcus aureus in Dry Hygiene program- Test report EWXq-21-1363 issued by China Household Electric Appliance Research Institute (CHEARI)

*99.99% removal of Escherichia coli, Staphylococcus aureus, Pseudomonas aeruginosa and Candida albicans in Mix program (40°C) with Hygiene Care option - Test report EWXq-21-967&EWXq-21-968 issued by China Household Electric Appliance Research Institute (CHEARI)

^99.99% removal of Escherichia coli, Staphylococcus aureus and Aspergillus niger in Drum Care program - Test report EWXq-22-1452 issued by China Household Electric Appliance Research Institute (CHEARI)

Series 6, washer dryer, 10/7 kg, 1400 rpm
WNG25401HK

measurements in mm



measurements in mm