

**Serie | 4, semi-integrated dishwasher,
45 cm, Stainless steel
SPI50E95EU**



Optional accessories

SMZ5300 : GlassSecure Tray

**The ActiveWater 45 with height-adjustable
top rack: Gives you extra space for large
and bulky items.**

- **AquaStop:** 100% lifetime warranty for water damages guaranteed.

Technical data

Energy Efficiency Class (Regulation (EU) 2017/1369): F
Energy Consumption for 100 cycles Eco Programme (EU 2017/1369): 78 kWh
Maximum number of place settings (EU 2017/1369): 9
The water consumption of the eco programme in liters per cycle (EU 2017/1369): 9.5 l
Programme duration (EU 2017/1369): 3:15 h
Airborne acoustical noise emissions (EU 2017/1369): 46 dB(A) re 1 pW
Airborne acoustical noise emission class (EU 2017/1369): C
Cleaning performance: A
Water consumption: 9.5 l
Total annual energy consumption 220 days: 172 kWh
Total annual water consumption 220 days: 2090 l
Built-in / Free-standing: Built-in
Removable top: No
Door panel options: Not possible
Height of removable worktop: 0 mm
Height of the product: 815 mm
Adjustable feet: Yes - all from front
Maximum adjustability feet: 60 mm
Net weight: 31.027 kg
Gross weight: 32.8 kg
Connection Rating: 2400 W
Fuse protection: 10 A
Voltage: 220-240 V
Frequency: 50; 60 Hz
Approval certificates: CE, VDE
Length electrical supply cord: 175 cm
Plug type: GARDY plug w/ earthing
Length inlet hose: 165 cm
Length outlet hose: 205 cm
Hidden heating element: Yes
Water protection system description: Triple water protection 24h
Child safety devices: No
Water softener: Yes
Top basket type: low
Adjustable upper basket: Single
Bottom basket type: low
3rd Rack: None
Cutlery Basket: Standard
Optional accessories: SGZ1010, SGZ3003, SMZ1051EU, SMZ5000, SMZ5003, SMZ5005, SMZ5300
Included accessories 2: vapor barrier plate
Number of place settings: 9
Color / Material panel: Stainless steel, metallic
Color / Material body: Lacquered
Dimensions of the product (HxWxD): 815 x 448 x 573 mm
Dimensions of the packed product (HxWxD): 880 x 670 x 500 mm



4 242002 857336

Serie | 4, semi-integrated dishwasher, 45 cm, Stainless steel SPI50E95EU

The ActiveWater 45 with height-adjustable top rack: Gives you extra space for large and bulky items.

- Capacity: Capacity: 9 place settings
- EU Energy Efficiency: A+
- Energy consumption in programme Eco50: 220 kWh per year, based on 280 standard cleaning cycles using cold water fill and the consumption of the low power modes. Actual energy consumption will depend on how the appliance is used.
- Power consumption off-mode / left-on mode: 0.1 W / 0.1 W
- Water consumption in programme Eco50: 2660 litres per year, based on 280 standard cleaning cycles. Actual water consumption will depend on how the appliance is used.
- Water consumption in 50 °C / 45 °C programme: 9.5 litres
- Drying efficiency class: A
- The information relates to the programme Eco50 °C. This programme is suitable to clean normally soiled tableware and

is the most efficient programme in terms of combined energy and water consumption.

- Programme time in programme Eco50: 195 min
- Duration of the left-on mode: 0 min
- Noise level: 46 dB
- Dimensions of the product (HxWxD): 81.5x44.8x57.3 cm
- 7-16 l
- 5 programmes: Intensive 70 °C, Auto 45-65 °C, Eco 50 °C, Quick wash 45 °C, Pre-Rinse
- Special options: IntensiveZone, VarioSpeed
- 4 cleaning temperatures
- ActiveWater hydraulic system
- Dosage Assist
- iQdrive motor for heat and drain pump
- duoPower double spray arm
- AquaSensor
- Detergent Automation
- Heat exchanger
- Alternating spray
- Regenerative electronics
- 3-fold corrugated filter
- Stainless steel cavity
- Remaining programme time indicator (min)
- Colour of indicators: red
- Preset timer: 1-24 hours
- LED salt refill indicator
- LED rinse aid refill indicator
- Programme selector with integrated start button
- Vario basket system
- Cutlery basket
- 2 foldable plate racks in bottom basket
- Cutlery rack in top basket
- AquaStop with guarantee
- Servo-lock
- Glass care system
- Front-adjustable rear foot
- Incl. Steam protection plate
- Dimensions of the product (HxWxD): 81.5x44.8x57.3 cm

Performance:

Programmes:

Design:

Advanced Technology:

Technical Information:

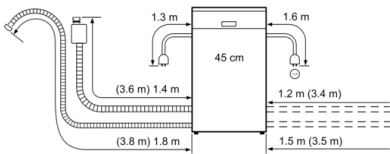
Display:

Function:

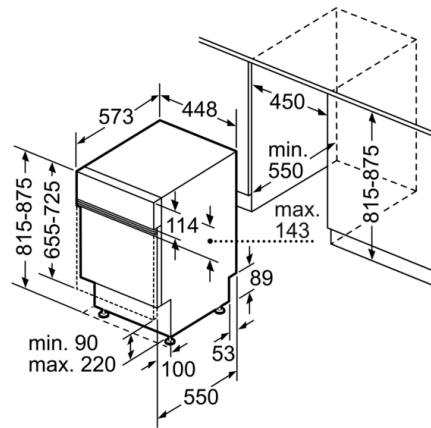


Control:

**Serie | 4, semi-integrated dishwasher, 45 cm,
Stainless steel
SPI50E95EU**



Connection dimensions
for all 45 cm dishwashers
() values with extension kit Z 7710X0



measurements in mm