

**Serie | 6, fully-integrated dishwasher,
60 cm
SMV68TD06G**



Optional accessories

SMZ5300 : GlassSecure Tray

Rely on Zeolith® for PerfectDry results on dishes and glassware.

- **Glass 40°C:** protective program for gently cleaning and drying glasses.
- **TimeLight:** program status and remaining time clearly displayed on floor in high resolution.
- **AquaStop:** 100% lifetime warranty for water damages guaranteed.

Technical data

Energy Efficiency Class (Regulation (EU) 2017/1369): D
 Energy Consumption for 100 cycles Eco Programme (EU 2017/1369): 85 kWh
 Maximum number of place settings (EU 2017/1369): 14
 The water consumption of the eco programme in liters per cycle (EU 2017/1369): 9.5 l
 Programme duration (EU 2017/1369): 3:15 h
 Airborne acoustical noise emissions (EU 2017/1369): 41 dB(A) re 1 pW
 Airborne acoustical noise emission class (EU 2017/1369): B
 Cleaning performance: A
 Water consumption: 9.5 l
 Total annual energy consumption 220 days: 183 kWh
 Total annual water consumption 220 days: 2090 l
 Built-in / Free-standing: Built-in
 Removable top: No
 Door panel options: Not possible
 Height of removable worktop: 0 mm
 Height of the product: 815 mm
 Adjustable feet: Yes - all from front
 Maximum adjustability feet: 60 mm
 Net weight: 51.7 kg
 Gross weight: 54.0 kg
 Connection Rating: 2400 W
 Fuse protection: 10 A
 Voltage: 220-240 V
 Frequency: 50; 60 Hz
 Approval certificates: CE, VDE
 Length electrical supply cord: 175 cm
 Plug type: GB plug
 Length inlet hose: 165 cm
 Length outlet hose: 190 cm
 Hidden heating element: Yes
 Water protection system description: Triple water protection 24h
 Child safety devices: Yes
 Water softener: Yes
 Top basket type: high TP
 Adjustable upper basket: Rackmatic 3-stage
 Bottom basket type: high TP
 3rd Rack: 3rd Rack 2.1
 Optional accessories: SGZ1010, SMZ2014, SMZ2056, SMZ5001, SMZ5003, SMZ5005, SMZ5035, SMZ5100, SMZ5300
 Included accessories 2: baking-sheet spray head grey, vapor barrier plate
 Number of place settings: 14
 Color / Material panel: Grey
 Dimensions of the product (HxWxD): 815 x 598 x 550 mm
 Dimensions of the packed product (HxWxD): 880 x 670 x 660 mm



Serie | 6, fully-integrated dishwasher, 60 cm SMV68TD06G

Rely on Zeolith® for PerfectDry results on dishes and glassware.

Technical Information:

- Capacity:Capacity: 12+2 place settings
- Water consumption in50 °C50 °Cprogramme:9.5litres
- Noise level:41 dB
- Dimensions of the product (HxWxD):81.5x59.8x55cm

Performance:

- EU Energy Efficiency:A+++
- Drying efficiency class:A

Programmes:

- 8programmes:Intensive wash70 °C,Auto Wash45-65 °C,Eco Wash50 °C,Night Program wash50 °C,Short60 °C,Glass40 °C,Quick wash45 °C,Prerinse
- Special options:Intensive Zone,VarioSpeedPlus,HygienePlus,Extra Dry
- Machine Care programme

Design:

- varioDrawer Pro
- Rackmatic height-adjustable top basket (3 stage)
- 6 foldable plate racks in top basket
- 8 foldable plate racks in bottom basket
- 2 lever (long/short)
- Glass rack in bottom basket
- Front-adjustable rear foot
- Baking sheet spray head

Display:

- Real Time Clock
- Preset timer: 1-24 hours
- LED salt refill indicator
- LED rinse aid refill indicator

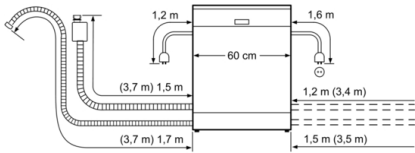
Control:

- TFT Display at control panel

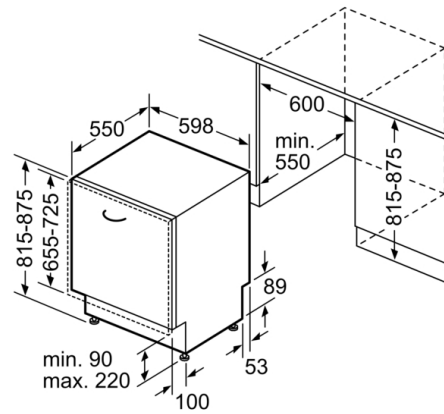
Advanced Technology:

- openAssist
- ActiveWater hydraulic system
- DosageAssist
- AquaSensor
- Heat exchanger
- iQdrivemotor for heat and drain pump
- Acoustic end of cycle indicator
- TimeLight projection: white light project on any floor
- AquaStop with guarantee

Serie | 6, fully-integrated dishwasher, 60 cm SMV68TD06G



() Werte mit Verlängerungssatz



measurements in mm