

**Serie | 6, fully-integrated dishwasher,  
60 cm  
SMV68MD01G**



**Optional accessories**

SMZ5300 : GlassSecure Tray

**Exceptionally quiet dishwasher  
SuperSilence Plus with Night Program  
wash.**

- **Glass 40°C:** protective program for gently cleaning and drying glasses.
- **TimeLight:** program status and remaining time clearly displayed on floor in high resolution.
- **AquaStop:** 100% lifetime warranty for water damages guaranteed.

**Technical data**

Energy Efficiency Class (Regulation (EU) 2017/1369): E  
 Energy Consumption for 100 cycles Eco Programme (EU 2017/1369): 95 kWh  
 Maximum number of place settings (EU 2017/1369): 14  
 The water consumption of the eco programme in liters per cycle (EU 2017/1369): 9.5 l  
 Programme duration (EU 2017/1369): 3:15 h  
 Airborne acoustical noise emissions (EU 2017/1369): 39 dB(A) re 1 pW  
 Airborne acoustical noise emission class (EU 2017/1369): B  
 Cleaning performance: A  
 Water consumption: 9.5 l  
 Total annual energy consumption 220 days: 231 kWh  
 Total annual water consumption 220 days: 2090 l  
 Built-in / Free-standing: Built-in  
 Removable top: No  
 Door panel options: Not possible  
 Height of removable worktop: 0 mm  
 Height of the product: 815 mm  
 Adjustable feet: Yes - all from front  
 Maximum adjustability feet: 60 mm  
 Net weight: 46.7 kg  
 Gross weight: 49.0 kg  
 Connection Rating: 2400 W  
 Fuse protection: 10 A  
 Voltage: 220-240 V  
 Frequency: 50; 60 Hz  
 Approval certificates: CE, VDE  
 Length electrical supply cord: 175 cm  
 Plug type: GB plug  
 Length inlet hose: 165 cm  
 Length outlet hose: 190 cm  
 Hidden heating element: Yes  
 Water protection system description: Triple water protection 24h  
 Child safety devices: Yes  
 Water softener: Yes  
 Top basket type: mid TP  
 Adjustable upper basket: Rackmatic 3-stage  
 Bottom basket type: mid TP  
 3rd Rack: 3rd Rack 1.1  
 Optional accessories: SGZ1010, SMZ2014, SMZ2056, SMZ5001, SMZ5003, SMZ5005, SMZ5035, SMZ5100, SMZ5300  
 Included accessories 2: baking-sheet spray head grey, vapor barrier plate  
 Number of place settings: 14  
 Color / Material panel: Grey  
 Dimensions of the product (HxWxD): 815 x 598 x 550 mm  
 Dimensions of the packed product (HxWxD): 880 x 670 x 660 mm



## Serie | 6, fully-integrated dishwasher, 60 cm SMV68MD01G

### Exceptionally quiet dishwasher SuperSilence Plus with Night Program wash.

---

**Performance:**

- EU Energy Efficiency:A+
- Drying efficiency class:A

**Programmes:**

- 8programmes:Intensive wash70 °C,Auto Wash45-65 °C,Eco Wash50 °C,Night Program wash50 °C,Glass wash40 °C,1 hour wash65 °C,Quick wash45 °C,Prerinse
- Machine Care programme

**Function:**

- 4 special options:Intensive Zone,VarioSpeedPlus,HygienePlus,Extra Dry

**Design:**

- Stainless steel cavity
- varioDrawer Plus
- Rackmatic height-adjustable top basket (3 stage)

**Display:**

- TimeLight projection: white light project on any floor
- Remaining programme time indicator (min)
- LED rinse aid refill indicator

**Control:**

- Preset timer: 1-24 hours

**Advanced Technology:**

- openAssist
- iQdrivemotor for heat and drain pump
- AquaSensor
- DosageAssist
- Heat exchanger
- 3-fold corrugated filter

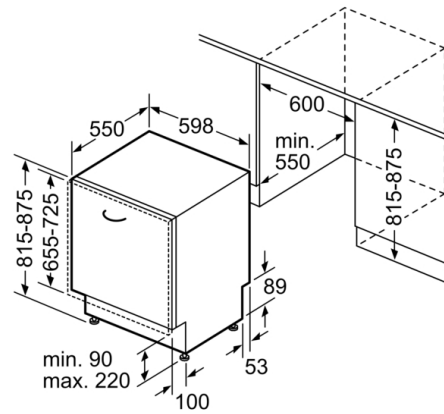
**Technical Information:**

- Capacity:Capacity: 12+2 place settings
- Water consumption in50 °C50 °Cprogramme:9.5litres
- Noise level:39 dB
- Baking sheet spray head
- Dimensions of the product (HxWxD):81.5x59.8x55 cm

## Serie | 6, fully-integrated dishwasher, 60 cm SMV68MD01G



( ) Werte mit Verlängerungssatz



measurements in mm