

**Series 8, Induction hob with integrated ventilation system, 80 cm, surface mount with frame PXX875D57E**



**Included accessories**

1 x Slider for unducted recirculation  
1 x Clean Air Plus odor filter

**Optional accessories**

HEZ32WA00 : Wireless food thermometer  
HEZ390011 : Stainless Steel roaster with glass lid  
HEZ390522 : Griddle Plate

**The induction hob with integrated ventilation module: combines best induction with best ventilation technology for perfect results.**

- **Integrated ventilation module:** extract steam and cooking odours at the source.
- **DirectSelect Premium:** Direct, simple selection of the desired cooking zone, power and additional functions.
- **FlexInduction Zone:** Get more flexibility by combining the cooking zones into one big zone for placing small pots and large cookware.
- **PerfectAir sensor:** Automatic control of settings for maximal extractor performance with minimal noise.
- **PerfectFry:** no more worries about scorching.

**Technical data**

Product name/family : Cooking zone ceramic  
Built-in / Free-standing : Built-in  
Energy input : Electric  
Total number of positions that can be used at the same time : 4  
Required niche size for installation (HxWxD) : 223 x 750-750 x 490-490 mm  
Width of the appliance : 816 mm  
Dimensions : 223x816x527 mm  
Dimensions of the packed product (HxWxD) : 430x940x660 mm  
Net weight : 28.8 kg  
Gross weight : 33.5 kg  
Residual heat indicator : Separate  
Location of control panel : Front  
Basic surface material : Ceramic  
Color of surface : Black, Stainless steel  
Color of frame : Stainless steel  
Length electrical supply cord : 110 cm  
Sealed Burners : No  
Heating with booster : All  
Power of 2nd heating element (kW) : 3300.0 W  
Number of speed settings : 17-stage + 2 intensive  
Maximum output air extraction : 500 m<sup>3</sup>/h  
Boost position output recirculating : 595.0 m<sup>3</sup>/h  
Maximum output recirculating air : 499 m<sup>3</sup>/h  
Boost position air extraction : 622 m<sup>3</sup>/h  
Noise level : 69 dB(A) re 1pW  
Odour filter : No  
Operating Mode : Exhaust or re-circulate air operation  
Clean filter reminders : Yes  
Voltage : 220-240/380-415 V  
Frequency : 50-60 Hz  
Included accessories : 1 x Slider for unducted recirculation, 1 x Clean Air Plus odor filter



## **Series 8, Induction hob with integrated ventilation system, 80 cm, surface mount with frame PXX875D57E**

**The induction hob with integrated ventilation module: combines best induction with best ventilation technology for perfect results.**

### **Design**

- Induction cooktop with fully integrated high-performance downdraft extractor.
- Facette front and rear, side profiles
- 80 cm: space for 4 pots or pans.

### **Flexibility of cooking zones**

- 2 Flex zones: use cookware of any shape or size anywhere within the 40cm long zone.
- Cooking zone front left: 200 mm, 240 mm, 2.2 KW (max. power 3.7 KW)
- Cooking zone rear left: 200 mm, 240 mm, 2.2 KW (max. power 3.7 KW)
- Cooking zone rear right: 200 mm, 240 mm, 2.2 KW (max. power 3.7 KW)
- Cooking zone front right: 200 mm, 240 mm, 2.2 KW (max. power 3.7 KW)

### **Usage convenience**

- 17 stages of power setting: precisely adapt the heat with 17 power levels (9 main levels and 8 intermediate levels).
- Keep warm function: keep dishes warm at preset low power level.
- Safety time switch off: switches off the cooking zone at the end of the time set (e.g. for boiled eggs).
- Alarm clock: an alarm sounds at the end of the time set (e.g. for pasta).
- count-up timer, per cooktop  
: shows how much time has passed since starting the timer (e.g. for potatoes).

### **Time saving & efficiency**

- Boost function for all zones: boil water more quickly thanks to 50% more energy than at the highest standard level.
- Cooking zones will be automatically joined or separated based on the shape and size of the cookware placed.
- MoveMode: increase or decrease the power level simply by moving the pot forwards or backwards.

### **Cooking assistance**

- 5 frying levels: prevents scorching with the automatic temperature regulation of the integrated sensor.

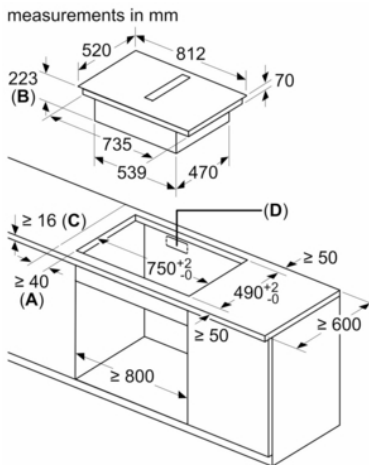
### **Safety**

- Digital 2 stage residual heat indicator: indicates which cooking zones are still hot or warm.
- Childproof lock: prevent unintended activation of the hob.
- Wipe protection function: wipe overboiled liquids without unintentionally changing settings (blocking all touch buttons for 30 seconds).
- Main switch: switch off all cooking zones at the touch of a button.
- Safety time switch-off: for safety reasons, heating stops after a preset time without interaction (customizable).

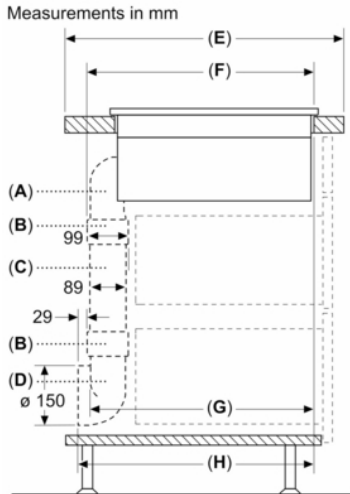
### **Installation**

- Dimensions of the product (HxWxD mm): 223 x 816 x 527
- Required niche size for installation (HxWxD mm) : 223 x 750 x (490 - 490)
- Min. worktop thickness: 16 mm
- Connected load: 7.4 KW

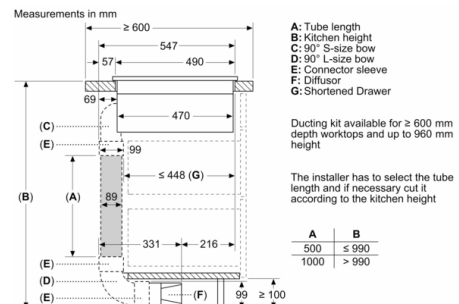
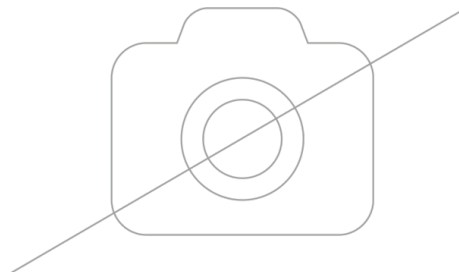
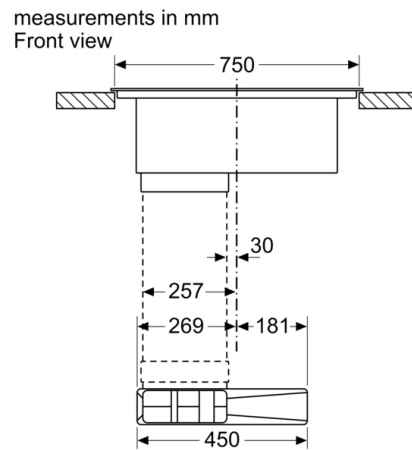
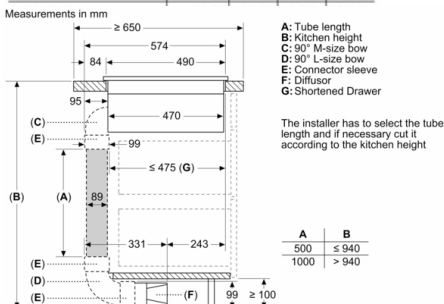
## Series 8, Induction hob with integrated ventilation system, 80 cm, surface mount with frame PXX875D57E



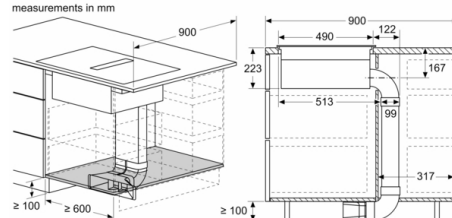
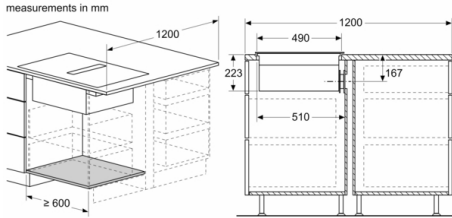
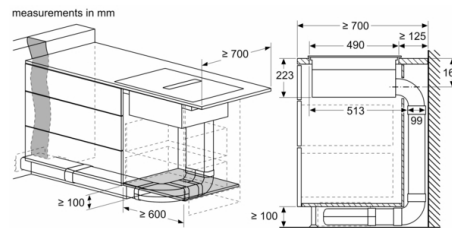
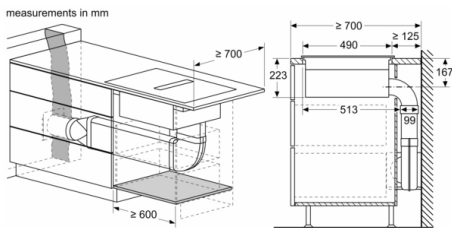
- A:** Minimum distance from the hob cut-out to the wall
- B:** Recessing depth
- C:** The worktop into which the hob is installed must withstand loads of approx. 60kg; suitable substructures must be used if required



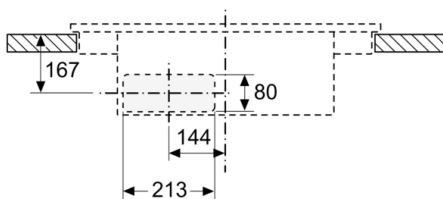
	A	E	F	G	H
S-size	≥ 600	547	545	579	
M-size	≥ 650	574	569	603	



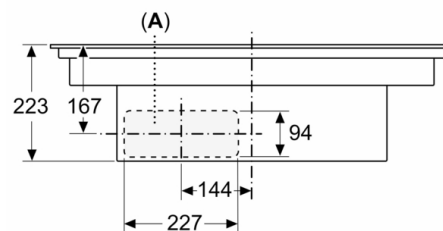
**Series 8, Induction hob with integrated ventilation system, 80 cm, surface mount with frame**  
**PXX875D57E**



measurements in mm  
 Front view – unit cut-out  
 for ducted recirculation



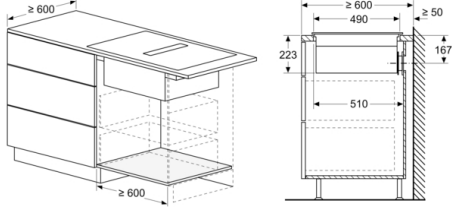
measurements in mm  
 Front view



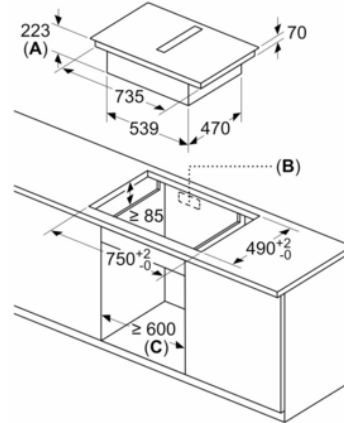
A: Connected directly at the rear

## Series 8, Induction hob with integrated ventilation system, 80 cm, surface mount with frame PXX875D57E

measurements in mm

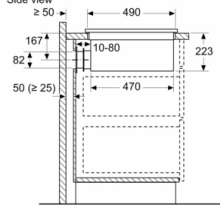


measurements in mm



- A:** Recess depth
- B:** Cut-out in back panel required for pipework. Exact size and position can be taken from specific drawing.
- C:** All 80 cm width class models can be installed in 60 cm wide furniture by adjusting the side panels

measurements in mm



When installing directly against outer walls that are not insulated ( $\mu \geq 0,5 \text{ W/m}^2\text{K}$ ), we recommend using partially or fully ducted recirculation configurations.

measurements in mm

