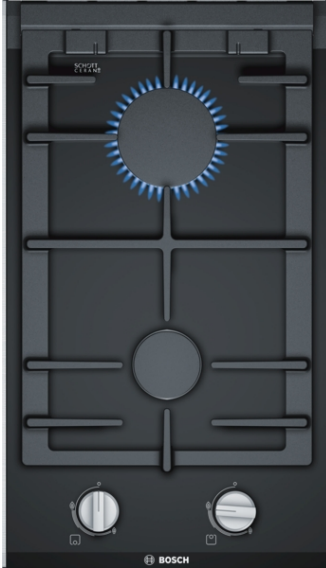


**Serie | 8, domino hob, gas, 30 cm,  
Ceramic  
PRB3B6B70X**



**Optional accessories**

HEZ394301 : Connecting strip

**The Towngas hob of the Domino  
programme: cook like a pro.**

- **Continuous cast-iron pan support:** for high firmness and stability of cookware.
- **Sword knobs:** for an ergonomic control.

**Technical data**

Product name/family : Vario/Domino gas hob w control

Built-in / Free-standing : Built-in

Energy input : Gas

Total number of positions that can be used at the same time : 2

Required niche size for installation (HxWxD) : 45 x 270 x

490-500 mm

Width of the appliance : 306 mm

Dimensions : 45 x 306 x 527 mm

Dimensions of the packed product (HxWxD) : 165 x 385 x 585

mm

Net weight : 6.737 kg

Gross weight : 7.5 kg

Residual heat indicator : without

Basic surface material : Ceramic

Color of surface : Alu, brushed, Black

Color of frame : Black

Approval certificates : not relevant

Length electrical supply cord : 150 cm

Connection Rating : 1 W

Gas connection rating : 4700 W

Fuse protection : 3 A

Voltage : 220-240 V

Frequency : 60; 50 Hz



**Serie | 8, domino hob, gas, 30 cm, Ceramic  
PRB3B6B70X**

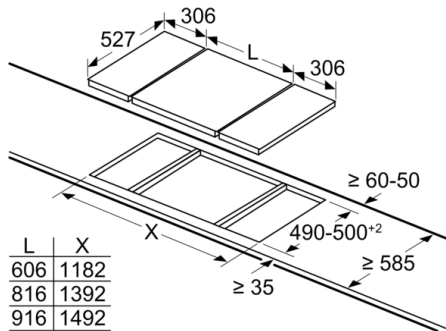
**The Towngas hob of the Domino programme:  
cook like a pro.**

---

- 2 gas burners
- 1 rapid, 1 standard burner
- Front: Standard burner 1.9 KW
- Rear: Rapid speed burner 2.8 KW
- Ignition via control knob
- Flame failure safety device
- Cast iron pan supports
- Can be combined with any Domino hobs

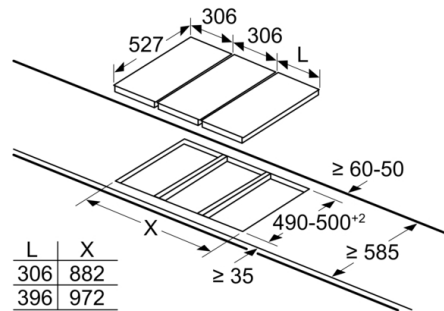
## Serie | 8, domino hob, gas, 30 cm, Ceramic PRB3B6B70X

measurements in mm



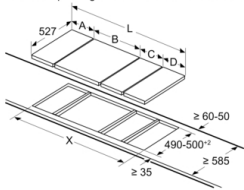
When installing two Domino units right next to a hob, two assembly kits (HEZ394301) are required.

measurements in mm



When installing two or more Domino units side-by-side, one or more assembly kits are required (2 units = 1 assembly kit, 3 units = 2 assembly kits, etc.).

measurements in mm  
Picture for the table Domino combination possibilities with corresponding devices and cutout dimensions



If two or more elements are installed right next to one another, one or several installation kits are required (2 elements 1 installation kit, 3 elements 2 installation kits, etc.).

Cutout dimension (X) depending on the combination see table:

measurements in mm

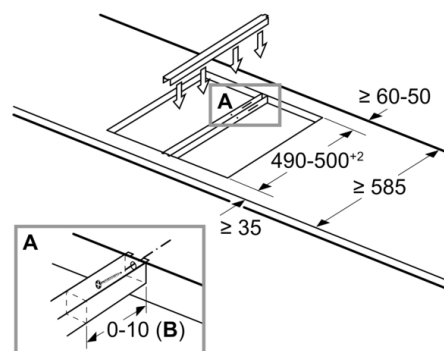
Domino combination options with corresponding appliance and cut-out dimensions

Width category:  
Appliance width:

|                   | A   | B   | C   | D   | L | X |      |             |
|-------------------|-----|-----|-----|-----|---|---|------|-------------|
| 2x30              | 306 | 306 | -   | -   |   |   | 612  | <b>576</b>  |
| 1x30, 1x40        | 306 | 396 | -   | -   |   |   | 702  | <b>666</b>  |
| 1x30, 1x60        | 306 | 606 | -   | -   |   |   | 912  | <b>876</b>  |
| 1x30, 1x70*       | 306 | 710 | -   | -   |   |   | 1016 | <b>980</b>  |
| 1x30, 1x80        | 306 | 816 | -   | -   |   |   | 1122 | <b>1086</b> |
| 1x30, 1x90        | 306 | 916 | -   | -   |   |   | 1222 | <b>1186</b> |
| 2x40              | 396 | 396 | -   | -   |   |   | 792  | <b>756</b>  |
| 1x40, 1x60        | 396 | 606 | -   | -   |   |   | 1002 | <b>966</b>  |
| 1x40, 1x70*       | 396 | 710 | -   | -   |   |   | 1106 | <b>1070</b> |
| 1x40, 1x80        | 396 | 816 | -   | -   |   |   | 1212 | <b>1176</b> |
| 1x40, 1x90        | 396 | 916 | -   | -   |   |   | 1312 | <b>1276</b> |
| 3x30              | 306 | 306 | 306 | -   |   |   | 918  | <b>882</b>  |
| 2x30, 1x40        | 306 | 306 | 396 | -   |   |   | 1008 | <b>972</b>  |
| 2x30, 1x60        | 306 | 306 | 606 | -   |   |   | 1218 | <b>1182</b> |
| 2x30, 1x70*       | 306 | 306 | 710 | -   |   |   | 1322 | <b>1286</b> |
| 2x30, 1x80        | 306 | 306 | 816 | -   |   |   | 1428 | <b>1392</b> |
| 2x30, 1x90        | 306 | 306 | 916 | -   |   |   | 1528 | <b>1492</b> |
| 1x30, 2x40        | 306 | 396 | 396 | -   |   |   | 1098 | <b>1062</b> |
| 1x30, 1x40, 1x60  | 306 | 396 | 606 | -   |   |   | 1308 | <b>1272</b> |
| 1x30, 1x40, 1x70* | 306 | 396 | 710 | -   |   |   | 1412 | <b>1376</b> |
| 1x30, 1x40, 1x80  | 306 | 396 | 816 | -   |   |   | 1518 | <b>1482</b> |
| 1x30, 1x40, 1x90  | 306 | 396 | 916 | -   |   |   | 1618 | <b>1582</b> |
| 2x40, 1x60        | 396 | 396 | 606 | -   |   |   | 1398 | <b>1362</b> |
| 4x30              | 306 | 306 | 306 | 306 |   |   | 1224 | <b>1188</b> |

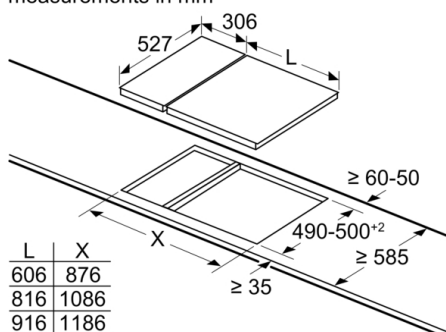
measurements in mm

Assembly kit (HEZ394301) for Domino



B: Dependent on the cut-out depth

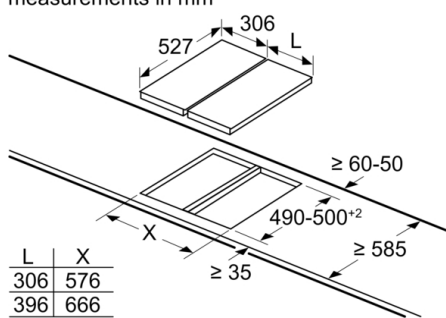
measurements in mm



When installing a Domino unit right next to a hob, an assembly kit (HEZ394301) is required.

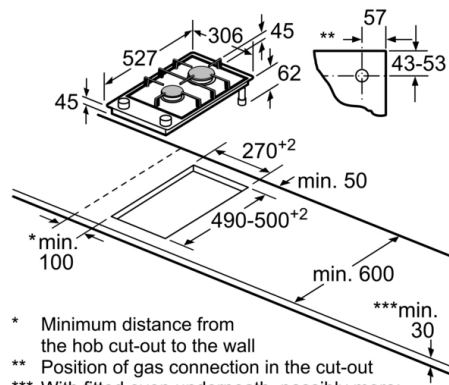
**Serie | 8, domino hob, gas, 30 cm, Ceramic  
PRB3B6B70X**

measurements in mm



| L   | X   |
|-----|-----|
| 306 | 576 |
| 396 | 666 |

When installing two or more Domino units side-by-side, one or more assembly kits are required (2 units = 1 assembly kit, 3 units = 2 assembly kits, etc.).



- \* Minimum distance from the hob cut-out to the wall
- \*\* Position of gas connection in the cut-out
- \*\*\* With fitted oven underneath, possibly more; see space requirements for the oven

measurements in mm