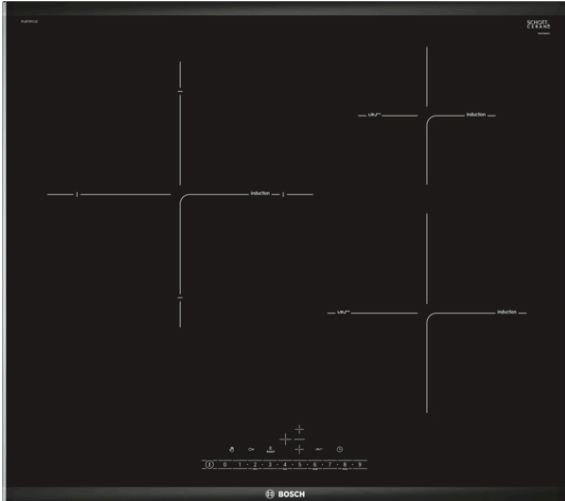


**Serie | 6, induction hob, 60 cm, Black
PIJ675FC1E****Optional accessories**

HEZ394301 : Connecting strip

**The induction hob with PerfectFry: achieve
perfect frying results thanks to automatic
temperature control.****Technical data**

Product name/family : Cooking zone ceramic
Construction type : Built-in
Energy input : Electric
Total number of positions that can be used at the same time : 3
Required niche size for installation (HxWxD) : 51 x 560-560 x 490-500 mm
Width of the appliance : 606 mm
Dimensions : 51 x 606 x 527 mm
Dimensions of the packed product (HxWxD) : 126 x 753 x 603 mm
Net weight : 12.2 kg
Gross weight : 13.4 kg
Residual heat indicator : Separate
Location of control panel : Hob front
Basic surface material : Ceramic
Color of surface : Black
Approval certificates : AENOR, CE
Length electrical supply cord : 110 cm
Sealed Burners : No
Heating with booster : All
Power of 2nd heating element (kW) : 2.6 kW
Power of 5th heating element (kW) : 1.4 kW : 3.7 kW
Power of 5th heating element (kW in boost) : [2.2] kW
Connection Rating : 7400 W
Voltage : 220-240 V
Frequency : 50; 60 Hz
Main colour of product : Black
Energy input : Electric
Approval certificates : AENOR, CE
Plug type : no plug
Appliance Dimensions (h x w x d) (in) : + x x
Dimensions of the packed product : 4.96 x 23.74 x 29.64
Net weight : 27.000 lbs
Gross weight : 29.000 lbs
Total number of positions that can be used at the same time : 3
Length electrical supply cord : 110 cm
Required niche size for installation (HxWxD) : 51 x 560-560 x 490-500 mm
Dimensions : 51 x 606 x 527 mm
Dimensions of the packed product (HxWxD) : 126 x 753 x 603 mm
Net weight : 12.2 kg
Gross weight : 13.4 kg



Serie | 6, induction hob, 60 cm, Black PIJ675FC1E

The induction hob with PerfectFry: achieve perfect frying results thanks to automatic temperature control.

Design:

- Enable you to design your own cooking centre using various kinds of hobs

Feature:

- 3 induction cooking zones
- 17 stages of power setting
- DirectSelect touch control
- Count-up timer and counter-down timer
- Boost function for all zones

Technical Information:

- Connected load: 7.4 KW

Environment & safety:

- Digital 2 stage residual heat indicator

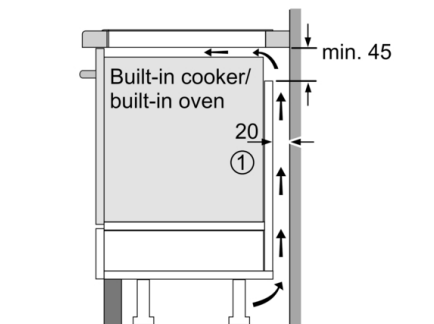
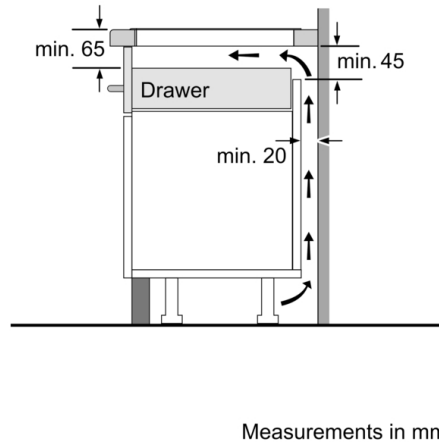
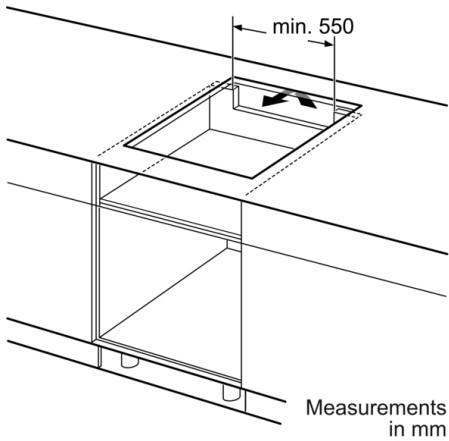
Dimensions (H x W x D):

- 51 x 606 x 527 mm

Cut out Dimensions (W x D):

- 560 mm x 490 mm

**Serie | 6, induction hob, 60 cm, Black
PIJ675FC1E**



① Ventilation gap must be present

All measurements in mm

