

**Serie | 8, French Door Bottom freezer,
3 doors, 191.1 x 75.2 cm, White
KMF40SW20**



A+



Included accessories

2 x cold accumulator
1 x egg tray
6 x storage container with lid

The NoFrost Multidoor fridge-freezer with indoor electronics: provides a modern door display and saves you from defrosting.

- **VitaFresh:** food fresh up to three times longer thanks to 0 °C technology and optimum air humidity.
- **LED Light:** illuminates the refrigerator evenly without glare, for the life of the appliance.
- **TouchControl operation:** convenient temperature control via easy-to-read sensor fields.

Technical data

Built-in / Free-standing :	Free-standing
Number of compressors :	1
Number of independent cooling systems :	3
Width of the product (mm) :	752
Height (mm) :	1911
Depth of the product :	715
Net weight (kg) :	136.900
Door panel options :	Not possible
Door hinge :	left and right
Number of Adjustable Shelves in fridge compartment :	3
Shelves for Bottles :	Yes
Frost free system :	Freezer
Interior ventilator :	Yes
Reversible Door Hinge :	No
Length electrical supply cord (cm) :	220
Noise level (dB(A) re 1 pW) :	43
Multi-Flow Air Tower :	No
Fast cooling switch :	Yes
Fast freezing switch :	Yes
Number of Door Bins - Refrigerator :	6
Door bin adjustability - Refrigerator :	Yes
Tilt-out door bins in fridge :	Yes
Gallon Storage :	Yes
Number of Gallon storage :	3
Motorized Shelf :	No
Material of the shelves :	Glas, Safety glass
Door opened indicator freezer :	Yes
Automatic motor-driven ice-maker :	No
Connection Rating (W) :	182
Current (A) :	10
Voltage (V) :	220-240
Frequency (Hz) :	50-60
Storage Period in Event of Power Failure (h) :	18
Approval certificates :	CE, VDE
Main colour of product :	White
Door panel options :	Not possible
Noise level (dB(A) re 1 pW) :	43
Energy Star Qualified :	No
Approval certificates :	CE, VDE
Plug type :	Gardy plug w/ earthing
Required cutout/niche size for installation (in) :	x x
Dimensions of the packed product (in) :	78.34 x 31.88 x 32.67
Net weight (lbs) :	302
Gross weight (lbs) :	317



Serie | 8, French Door Bottom freezer, 3 doors, 191.1 x 75.2 cm, White KMF40SW20

The NoFrost Multidoor fridge-freezer with indoor electronics: provides a modern door display and saves you from desfrosting.

Supplied accessories

- 2 x cold pack, 1 x egg tray, 6 x storage container with lid
- Total gross capacity: 492 l
- Gross fridge capacity: 316 l
- Gross capacity of freezer: 176 l

Consumption

- Energy Efficiency Class: A+
- Energy consumption: 379 kWh/yr
- Total net capacity: 400 litres
- Net fridge capacity: 206 litres
- Noise level: 43 dB

Design

- Glass door, White
- Vertical bar handle
- Interior LED lighting

Features

- NoFrost
- In-door LCD control
- Super freeze function
- Acoustic warning signal
- No defrosting process
- Three Cooling Systems

Fridge section

- Net fridge capacity: 294 litres
- Dynamic cooling via integrated fan
- 3 safety glass shelves of which 3 are height adjustable
- Dairy compartment
- 3 door shelf large, 3 door shelf small
- Interior LED lighting

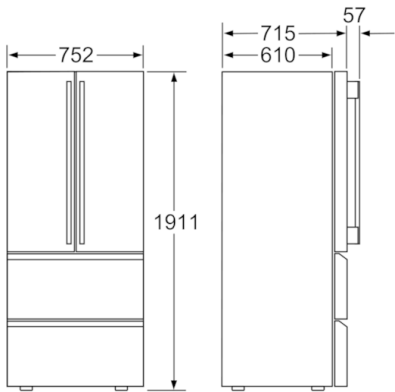
Freezer section

- Net freezer capacity: 106 litres
- Easy twist ice box
- Freezing capacity: 18 kg in 24 hours
- Storage time in power failure: 18 H
- Freezing calendar

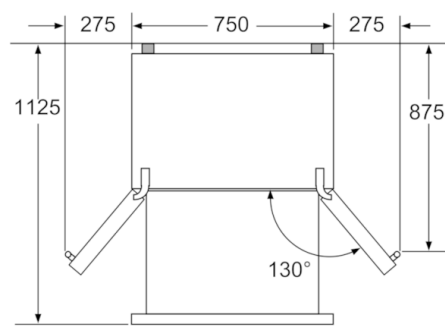
Appliance Dimension

- Dimensions: 191.1 cm (H) x 75.2 cm (W) x 71.5 cm (D)
- Connected load: 170 W
- 220 - 240 V

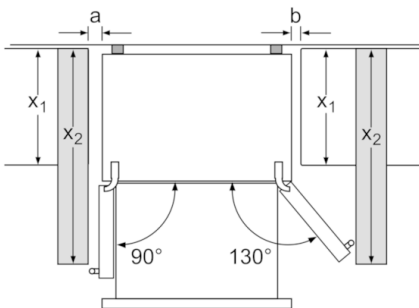
Serie | 8, French Door Bottom freezer, 3 doors, 191.1 x 75.2 cm, White KMF40SW20



measurements in mm



measurements in mm



X ₁ (unit depth)	a	b
600	35	35
650	35	45
700	35	80

X ₂ (wall)	105	275
-----------------------	-----	-----

measurements in mm