

Serie | 8, built-in fridge-freezer with freezer at bottom, 177.2 x 55.6 cm KIF39P61HK



Included accessories

- 2 x cold accumulator
- 2 x egg tray
- 1 x ice cube tray

The bottomfreezer with VitaFresh, A++ rating and TouchControl: keeps your food fresh up to 3 times as long - very efficient.

- **LED light:** illuminates the refrigerator evenly without glare, lasts for the life of the appliance.
- **NoFrost:** never defrost again, thanks to perfect protection from ice formation - that saves time and effort.
- **EasyLift glass shelf:** easy height adjustment, providing a flexible interior.
- **SuperCooling:** cools new food placed inside faster, thus protecting already cooled food.

Technical data

Built-in / Free-standing :	Built-in
Number of compressors :	1
Number of independent cooling systems :	3
Width of the product (mm) :	556
Depth of the product :	545
Net weight (kg) :	79.236
Required niche size for installation (HxWxD) :	1775.0 x 560 x 550
Door panel options :	Not possible
Door hinge :	Right reversible
Number of Adjustable Shelves in fridge compartment :	2
Shelves for Bottles :	Yes
Frost free system :	Freezer
Interior ventilator :	No
Reversible Door Hinge :	Yes
Length electrical supply cord (cm) :	230
Noise level (dB(A) re 1 pW) :	39
Multi-Flow Air Tower :	No
Fast cooling switch :	Yes
Fast freezing switch :	No
Temperature Controlled Drawer :	No
Humidity Control Drawer :	No
Number of Door Bins - Refrigerator :	2
Door bin adjustability - Refrigerator :	No
Tilt-out door bins in fridge :	No
Gallon Storage :	Yes
Number of Gallon storage :	1
Motorized Shelf :	No
Material of the shelves :	plastic
Door opened indicator freezer :	Yes
Drawers with telescopic rails :	none
Automatic motor-driven ice-maker :	No
Connection Rating (W) :	120
Current (A) :	10
Voltage (V) :	220-240
Frequency (Hz) :	50
Storage Period in Event of Power Failure (h) :	16
Approval certificates :	CE, VDE
Main colour of product :	White
Door panel options :	Not possible
Noise level (dB(A) re 1 pW) :	39
Energy Star Qualified :	No
Approval certificates :	CE, VDE
Plug type :	GB plug
Required cutout/niche size for installation (in) :	x x
Dimensions of the packed product (in) :	77.95 x 24.80 x 25.98
Net weight (lbs) :	175
Gross weight (lbs) :	186



4 242002 961613

**Serie | 8, built-in fridge-freezer with freezer at bottom, 177.2 x 55.6 cm
KIF39P61HK**

The bottom freezer with VitaFresh, A++ rating and TouchControl: keeps your food fresh up to 3 times as long - very efficient.

Supplied accessories

- 2 x cold pack, egg tray, ice cube tray
- Total gross capacity: 273 l
- Gross fridge capacity: 195 l
- **** freezer 78 l (-18°C and below)

-
- Total net capacity: 243 litres
 - Noise level: 39 dB

Design

- softClosing Door
- Flush-folding hinge
- Interior LED lighting in fridge section

Features

- Visualización exterior de la temperatura mediante LEDs
- Automatic defrost in fridge section
- Supercool function with automatic switch off
- Automatic switch off
- Acoustic warning signal
- Freezer malfunction warning signal: Active Warning System by Temperatur increase

Fridge section

- Net fridge capacity: 180 litres
- 3 safety glass shelves in fridge compartment, 2 height adjustable glass shelves, 1 easyLift shelf 1 full extension glass shelf
- Dairy compartment
- 2 door bins, therfor 1 extra deep with divider and 1 with EasyLift
- Interior LED lighting

Freezer section

- Net freezer capacity: 63 litres
- Freezing capacity: 12 kg in 24 hours
- Storage time in power failure: 16 H
- 2 transparent freezer drawers, including 1 bigBox

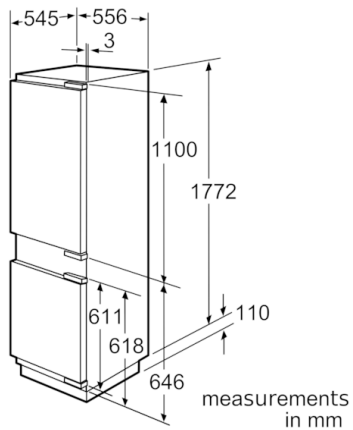
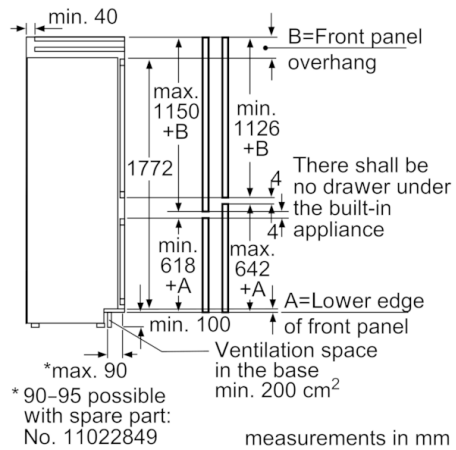
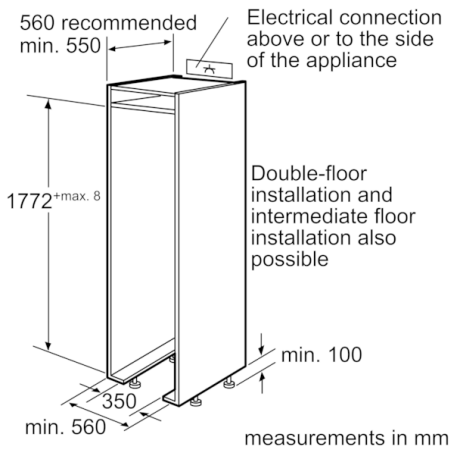
Technical information

- Door right hinged, reversible
- Connected load: 120 W
- 220 - 240 V

Appliance Dimension

- Dimensions: 177.2 cm (H) x 55.6 cm (W) x 54.5 cm (D)

**Serie | 8, built-in fridge-freezer with freezer at bottom, 177.2 x 55.6 cm
KIF39P61HK**



measurements in mm

Recommended gap dimensions for flat hinges

	F	R	X
	16-19	0-3	2.5
	20	0-1	3
	21	0-1	2.5
	22	2-3	3
	21	0-1	3
	22	2-3	2.5
	22	0	4
	22	1	3.5
	22	2-3	3

The gap dimensions recommended in the table must be adhered to in order to ensure that appliance doors do not collide with anything when they are opened, and to avoid causing damage to kitchen units.