

Series 8, Built-in oven with steam function, 60 x 60 cm, Stainless steel HSG636ES1



1 x enamel baking tray, 1 x grid, 1 x universal pan, punched, size XL, 1 x steam container, unpunched, size S

HEZ532010 Universal pan, non-stick ceramic coated, HEZ617000 Pizza pan, enamelled, HEZ625071 Grill tray, anthracite, HEZ631070 Baking tray, enamelled, HEZ36D163 Steam container, unpunched, size S, HEZ36D163G Steam container, punched, size S, HEZ530000 Half tray, HEZ531010 Baking tray, non-stick ceramic coated, HEZ632070 Multipurpose pan, enamelled, HEZ633001 Lid for professional pan, enamelled, HEZ633070 Professional pan, enamelled, HEZ635000 Barbecue-Set, HEZ636000 Glass pan, HEZ638D30 3 level telescopic rails, full ext, steam, HEZ660050 Cover Strip, HEZ664000 Baking and roasting grid (steam), HEZ915003 Glass roasting dish, 5,4 L, HEZG0AS00 Connecting cable 3m

The steam oven with PerfectBake and PerfectRoast: you get perfect results, automatically and gently.

Gross weight: 97.000 lbs
 Built-in / Free-standing: Built-in
 Door opening: Drop down
 Min. required niche size for installation (HxWxD): 585-595 x 560-568 x 550 mm
 Dimensions: 595 x 594 x 548 mm
 Dimensions of the packed product (HxWxD): 675 x 660 x 690 mm
 Control Panel Material: Stainless steel
 Door Material: Glass
 Net weight: 41.5 kg
 Length electrical supply cord: 120.0 cm
 Heating Types:Defrost, Steam, Dough proving, Reheat, 4D hot air, Full width grill, Hot Air-Eco, Half width grill, Conventional heat, Conventional heat ECO, Pizza setting, low temperature cooking, Bottom heat, Hot air grilling, pre-heating, warming
 Time-setting Options: Start and Stop
 Fuse protection: 16 A
 Voltage: 220-240 V
 Frequency: 60; 50 Hz
 Plug type: Gardy plug w/ earthing
 Energy input: Electric
 Fuse protection: 16 A
 Voltage: 220-240 V
 Frequency: 60; 50 Hz
 Plug type: Gardy plug w/ earthing
 Dimensions of the packed product: 26.57 x 25.98 x 27.16
 Net weight: 92.000 lbs
 Included accessories: . 1 x enamel baking tray, 1 x grid, 1 x universal pan, 1 x steam container, punched, size S, 1 x steam container, punched, size XL, 1 x steam container, unpunched, size S



Series 8, Built-in oven with steam function, 60 x 60 cm, Stainless steel HSG636ES1

The steam oven with PerfectBake and PerfectRoast: you get perfect results, automatically and gently.

Programmes/ Additional Features:

- 12 heating methods: 4D hot air, Hot Air-Eco, Top and bottom heating, Top and bottom heating Eco, Hot air grilling, Radiant grill large area, Radiant grill small area, Pizza setting, Bottom heat, Slow cooking, Plate warming, Keep warm
- Additional heating methods with steam: Steam, Reheat, Prove, defrost
- Temperature range 30 °C - 250 °C
- Cavity volume: 71L

Design:

Key Features:

- ecoClean® Plus: back panel

Design:

- IC6_CBO_62
- Additional functions: descaling programme autom. boiling point detection drying function
- Door hinge: bottom, softClose door, softOpen door
- Automatic programmes
- baking sensor multipoint temperature probe
- Electronic clock
- Rapid heating-up
- LED light, Switch for oven illumination
- Water tank capacity 1 l
- Integrated water reservoir that does not require direct water connection
- 595 mm x 594 mm x 548 mm
- Enamel cavity

Hook-in racks / rails

Accessory:

- 1 x universal pan, 1 x enamel baking tray, 1 x grid, 1 x steam container, punched, size XL, 1 x steam container, punched, size S, 1 x steam container, unpunched, size S

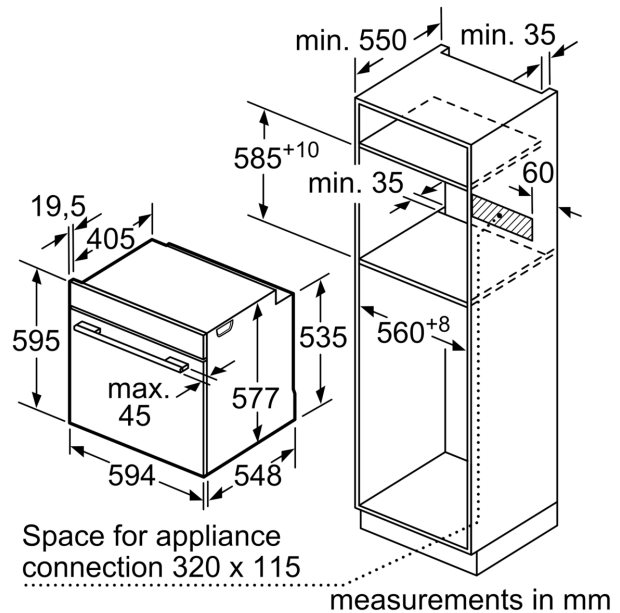
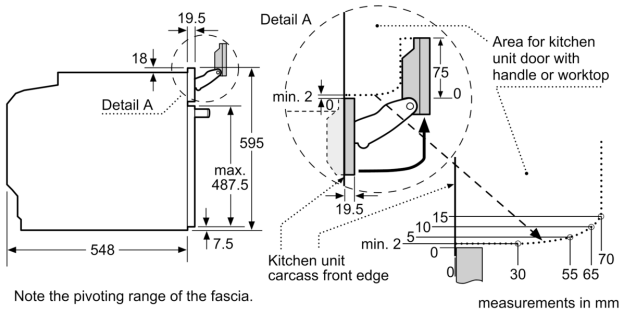
Safety:

- Childproof lock Automatic switch off Residual heat indicator Start button door contact switch

Technical Information:

- Length of mains cable: 120 cm
- Total connected load: 3.6kW
- 595 mm x 594 mm x 548 mm
- 595 mm x 594 mm x 548 mm
- Please reference the built-in dimensions provided in the installation drawing

Series 8, Built-in oven with steam function, 60 x 60 cm, Stainless steel HSG636ES1



If the appliance will be installed underneath a hob, the following worktop thicknesses (including substructure if necessary) must be taken into account.

Hob type	min. worktop thickness	
	fitted	flush
Induction hob	37 mm	38 mm
Full surface Induction hob	47 mm	48 mm
Gas hob	30 mm	38 mm
Electric hob	27 mm	30 mm

