

**Series 8, Built-in oven with added steam function, 60 x 60 cm, Stainless steel  
HRG6769S2B**



**The built-in oven with PerfectBake, PerfectRoast and added steam: automatically prepares your dishes so they're perfect and moist**

- **PerfectBake:** the easy way to perfect baking results.
- **PerfectRoast:** precise measurement of core temperature for a perfect roast.
- **Added steam:** your foods turn out crispy on the outside and juicy on the inside.
- **4D hotAir:** even heat distribution for perfect results – on any level.
- **TFT touchscreen control:** easy-to-use thanks to the control ring with full text and images.

2 x combination grid, 1 x universal pan

HEZ327000 Pizza stone, HEZ530000 Half tray, HEZ531010 Baking tray, non-stick ceramic coated, HEZ532010 Universal pan, non-stick ceramic coated, HEZ617000 Pizza pan, enamelled, HEZ625071 Grill tray, anthracite, HEZ631070 Baking tray, enamelled, HEZ632070 Multipurpose pan, enamelled, HEZ633001 Lid for professional pan, enamelled, HEZ633070 Professional pan, enamelled, HEZ634000 Baking and roasting grid (standard), HEZ635000 Barbecue-Set, HEZ636000 Glass pan, HEZ660050 Cover Strip, HEZ6FCC0 Cookbook, HEZ9020 Conversion cabinet, HEZ915003 Glass roasting dish, 5,4 L

Gross weight: ..... 48.5 kg  
 Built-in / Free-standing: ..... Built-in  
 Integrated Cleaning system: ..... Pyrolytic  
 Min. required niche size for installation (HxWxD): 585-595 x 560-568 x 550 mm  
 Dimensions: ..... 595 x 594 x 548 mm  
 Dimensions of the packed product (HxWxD): ..... 670 x 660 x 680 mm  
 Control Panel Material: ..... Stainless steel  
 Door Material: ..... Glass  
 Net weight: ..... 46.2 kg  
 Usable volume of cavity: ..... 71 l  
 Heating Types: ..... Reheat, 4D hot air, Defrost, Dehydrate, Full width grill, Hot Air-Eco, Intensive heat, Half width grill, Conventional heat, Conventional heat ECO, Pizza setting, low temperature cooking, Bottom heat, Hot air grilling, pre-heating, warming  
 Number of interior lights: ..... 3  
 Length electrical supply cord: ..... 120.0 cm  
 Interior Lights - cavity 1: ..... 3  
 Pull-out system: ..... 3-level  
 Included accessories: ..... 2 x combination grid, 1 x universal pan  
 Broil Element Wattages Cavity 1: ..... 2800 W  
 Convection Element Wattages Cavity 1: ..... 2200 W  
 Energy efficiency rating (2010/30/EU): ..... A  
 Energy consumption per cycle conventional (2010/30/EC): ..... 0.90 kWh/cycle  
 Energy consumption per cycle forced air convection (2010/30/EC): ..... 0.74 kWh/cycle  
 Energy efficiency index (2010/30/EC): ..... 87.1 %  
 Connection Rating: ..... 3600 W  
 Fuse protection: ..... 16 A  
 Voltage: ..... 220-240 V  
 Frequency: ..... 60; 50 Hz  
 Plug type: ..... no plug  
 Energy input: ..... Electric  
 Required cutout/niche size for installation (in): ..... x  
 Dimensions of the packed product: ..... 26.37 x 25.98 x 26.77  
 Net weight: ..... 102.000 lbs  
 Gross weight: ..... 107.000 lbs  
 Length electrical supply cord: ..... 120.0 cm  
 Net weight: ..... 46.2 kg



## Series 8, Built-in oven with added steam function, 60 x 60 cm, Stainless steel

**HRG6769S2B**

**The built-in oven with PerfectBake, PerfectRoast and added steam: automatically prepares your dishes so they're perfect and moist**

### Technical Information:

- 20A single phase connection
- Total connected load: 3.6kW

### Accessory:

- 595 mm x 594 mm x 548 mm
- Please reference the built-in dimensions provided in the installation drawing

### Programmes/ Additional Features:

- 15 heating methods:
- 4D HotAir, Hot Air-Eco, Top and bottom heating, Top and bottom heating Eco, Hotair grill, Full width grill, Half width grill, Pizza setting (intensive hotair), Bottom heat, Intensive heat, Slow cooking, Defrost, Plate warming, Desiccation, Keep warm
- Additional heating methods with steam: Reheat, Dough proving
- Temperature range: 30 °C - 275 °C
- Cavity volume: 71L

### Design:

- Rotary swivel
- Cavity inner surface: enamel anthracite

### Key Features:

- Pyrolytic self-cleaning function
- Pyrolytic proof trayholder and baking tray
- Full glass inner door

### Design:

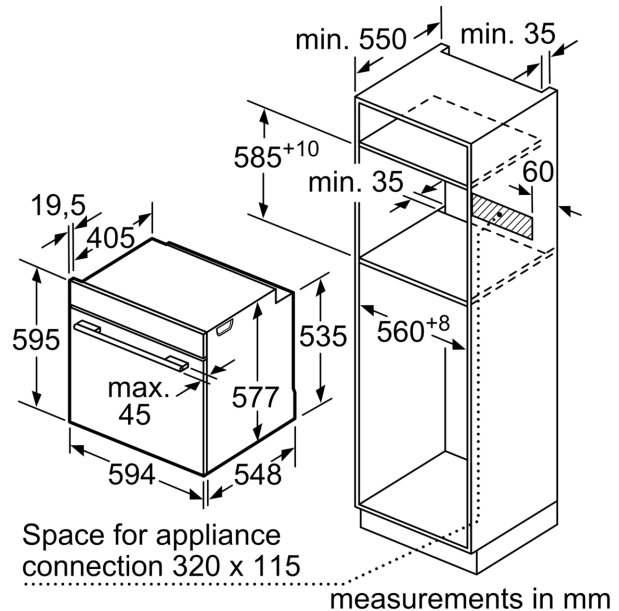
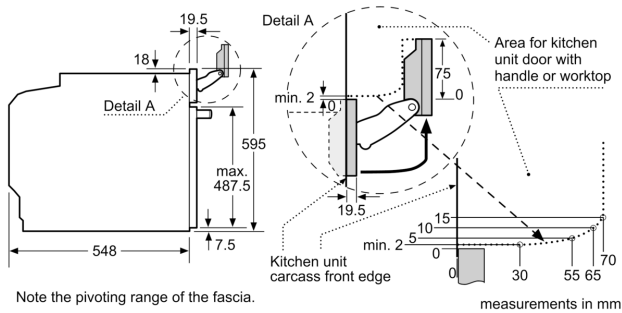
- IC6\_CBO\_62
- Temperature proposal
- Actual temperature display Heating-up control Sabbath setting
- Additional functions:
- Descaling programme
- Drying function
- Door hinge: bottom, softClose door, softOpen door
- Supporting systems: Assist Function
- PerfectBake
- PerfectRoast+
- Electronic clock
- Rapid heating-up
- LED light, LED-Elongated light, Switch for oven illumination at cavity
- Water tank capacity 1 l
- Integrated water tank that does not require direct water connection
- Integral cooling fan
- Stainless-steel fan
- Info button
- Bar handle

### Hook-in racks / rails

### Safety:

- Quadruple glass cool touch door (30° C door temperature)
- Childproof lock
- Automatic switch off Residual heat indicator Start button Door contact switch

**Series 8, Built-in oven with added steam function, 60 x 60 cm, Stainless steel**  
**HRG6769S2B**



If the appliance will be installed underneath a hob, the following worktop thicknesses (including substructure if necessary) must be taken into account.

Hob type	min. worktop thickness	
	fitted	flush
Induction hob	37 mm	38 mm
Full surface Induction hob	47 mm	48 mm
Gas hob	30 mm	38 mm
Electric hob	27 mm	30 mm

