

**Serie | 8, built-in oven with steam-
and microwave function, 60 x 60 cm,
Stainless steel
HNG6764S6**



Included accessories

1 x enamel baking tray
1 x combination grid
1 x universal pan

Optional accessories

HEZ327000 : Pizza stone

- **Added steam:** your foods turn out crispy on the outside and juicy on the inside.
- **Microwave function:** for quick warming up or for fast cooking in combination with hotair.
- **4D hotAir:** even heat distribution for perfect results – on any level.
- **PerfectBake:** the easy way to perfect baking results.
- **PerfectRoast:** precise measurement of core temperature for a perfect roast.

Technical data

Type of micro-wave oven : MW-Combi

Type of control : Electronic

Color / Material Front : Stainless steel

Cavity dimensions : 357.0 x 480 x 392.0 mm

Length electrical supply cord : 120 cm

Net weight : 50.2 kg

Gross weight : 52.6 kg

Approval certificates : CE, VDE

Maximum micro-wave power : 800 W

Number of Power Levels : 5

Turntable : No

Cavity material : Enamelled steel

Door opening : Handle

Clock : Yes

Included accessories : 1 x enamel baking tray, 1 x combination grid, 1 x universal pan

Main colour of product : Stainless steel

Height of the product : 595 mm

Width of the appliance : 594 mm

Depth of the product : 548 mm

Maximum micro-wave power : 800 W

Connection Rating : 3600 W

Fuse protection : 16 A

Voltage : 220-240 V

Frequency : 60; 50 Hz

Plug type : GARDY plug w/ earthing

Color / Material Front : Stainless steel

Alternative colors available : HNG6764B6, HNG6764W6

Approval certificates : CE, VDE

Appliance Dimensions (h x w x d) (in) : x x

Dimensions of the packed product : 26.37 x 26.37 x 26.77

Net weight : 111.000 lbs

Gross weight : 116.000 lbs



Serie | 8, built-in oven with steam- and microwave function, 60 x 60 cm, Stainless steel

HNG6764S6

Programmes/ Additional Features:

- 14 heating methods:
4D hot air, Hot Air-Eco, Top and bottom heating, Top and bottom heating Eco, Hot air grilling, Radiant grill large area, Radiant grill small area, Pizza setting, Bottom heat, Intensive heat, Slow cooking, Plate warming, Desiccate, Keep warm
- Additional heating methods with steam: Reheat, Prove
- Additional heating methods with microwave: microwave, combi microwave variable
- Supporting systems: Assist

Key Features:

- baking sensor
multipoint temperature probe
- Pyrolytic self-cleaning function
- Rapid heating-up

Design:

- Number of shelf levels: 5 PC
- Enamel cavity
- Quadruple glass cool touch door (30° C door temperature)
- LED light, LED-Elongated light, Switch for oven illumination at cavity
- Electronic clock
- Integrated water reservoir that does not require direct water connection

Safety:

- Door lock electrical
Childproof lock Automatic switch off Residual heat indicator
Start button door contact switch

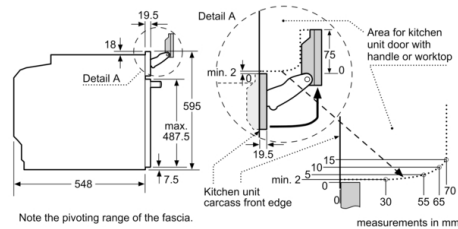
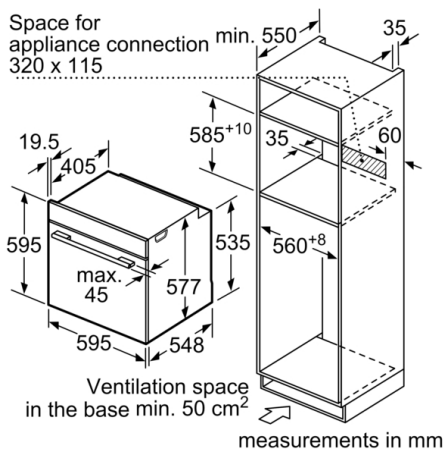
Technical Information:

- Cavity volume: 67L
- Water tanks capacity 1 l
- Temperature range 30 °C - 300 °C
- Total connected load: 3.6kW
- 20A single phase connection

Dimensions (H x W x D):

- 595 mm x 594 mm x 548 mm
- Please reference the built-in dimensions provided in the installation drawing

Serie | 8, built-in oven with steam- and microwave function, 60 x 60 cm, Stainless steel HNG6764S6



If the appliance will be installed underneath a hob, the following worktop thicknesses (including substructure if necessary) must be taken into account.

Hob type	min. worktop thickness	
	fitted	flush
Induction hob	37 mm	38 mm
Full surface Induction hob	47 mm	48 mm
Gas hob	30 mm	38 mm
Electric hob	27 mm	30 mm

