

**Series 6, steamer, 59 x 38 cm,
Stainless steel
HMT85DL53B**



1 x STS tray-GN1/2-punched-40 mm deep, 1 x STS tray-GN1/2-unpunched-40 mm deep, 1 x sponge

- HEZ36D264 Steam Container, unpunched, Size M
- HEZ36D264G Steam container, punched, size M
- HEZ36D163G Steam container, punched, size S
- HEZ36D254 STS tray-GN1/2- unpunched 40 mm deep
- HEZ36D254G STS tray-GN1/2-punched 40 mm deep
- HEZ36D153 STS tray-GN1/3- unpunched 40 mm deep
- HEZ36D153G STS tray-GN1/3-punched 40 mm deep
- HEZ36D163 Steam container, unpunched, size S

The 38cm steamer: prepare foods especially gently, retaining the aroma and vitamins.

- **Full steam:** 40°C to 100°C (in 5 temperature levels)
- **20 automatic programmes**
- **22 litre oven capacity Brandlookup is not resolving with 3 shelf positions**
- **Descaling programme**
- **Built-in model for 60 cm wide wall cabinet, also suitable for high cupboard**

Built-in / Free-standing: Built-in
 Door opening: Lateral
 Min. required niche size for installation (HxWxD): 362-382 x 560-568 x 300 mm
 Dimensions: 382 x 595 x 300 mm
 Dimensions of the packed product (HxWxD): 500 x 665 x 430 mm
 Control Panel Material: brushed stainless steel, Macrolon
 Door Material: Glass
 Net weight: 13.3 kg
 Length electrical supply cord: 150.0 cm
 Connection Rating: 1240 W
 Fuse protection: 10 A
 Voltage: 220-240 V
 Frequency: 50 Hz
 Plug type: GB plug
 Included accessories: .1 x STS tray-GN1/2-punched-40 mm deep, 1 x STS tray-GN1/2-unpunched-40 mm deep, 1 x sponge



**Series 6, steamer, 59 x 38 cm,
Stainless steel
HMT85DL53B**

**The 38cm steamer: prepare foods
especially gently, retaining the aroma and
vitamins.**

Programmes/ Additional Features:

- Full steam: 40°C to 100°C (in 5 temperature levels)
- 20 automatic programmes

Key Features:

- Descaling programme

Design:

- Built-in model for 60 cm wide wall cabinet, also suitable for high cupboard
- Double glazed door
- Electronic retractable rotary knob, Push buttons
- LED light
- side opening door, hinge left

Technical Information:

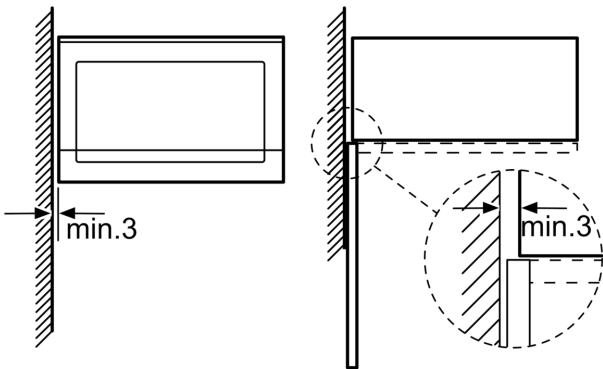
- Water tank capacity 0.9 l
- Total connected load electric: 1.24 KW (13A)

Dimensions (H x W x D):

- 382 mm x 595 mm x 300 mm

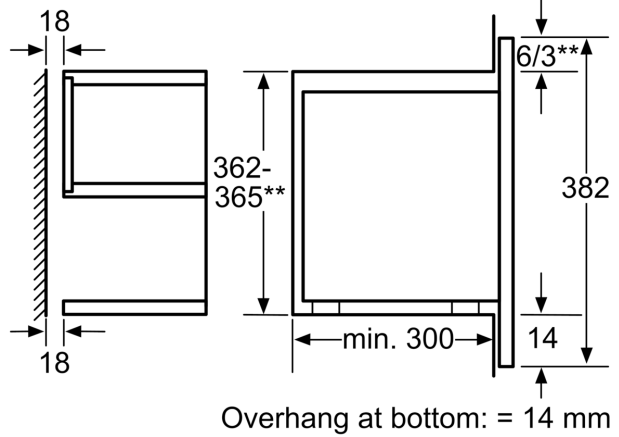
**Series 6, steamer, 59 x 38 cm,
Stainless steel
HMT85DL53B**

Steamer
corner installation



Measurements in mm

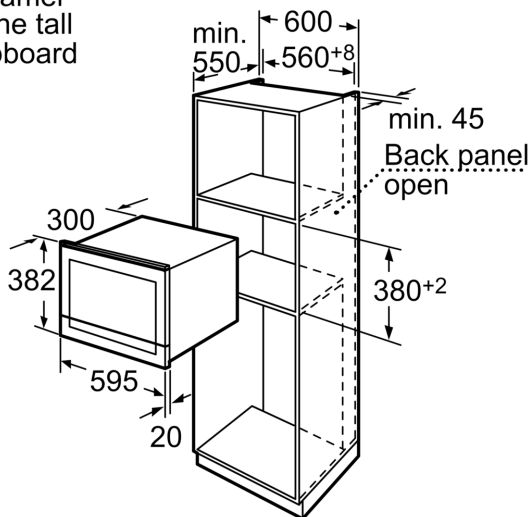
Steamer
Front panel overhang
Overhang at top:
Recess 362 = 6 mm
Recess 365** = 3** mm



Overhang at bottom: = 14 mm

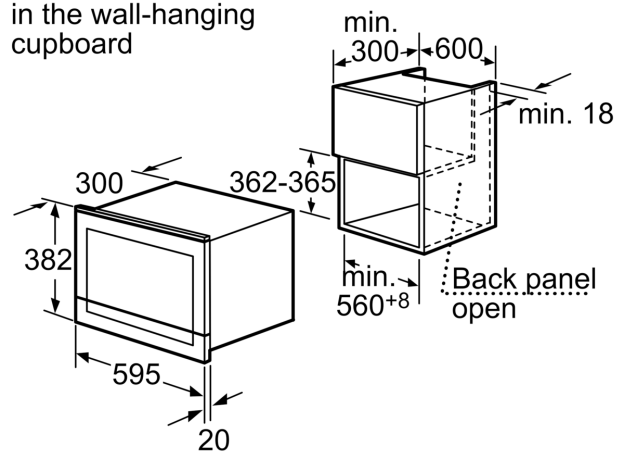
Measurements in mm

Steamer
in the tall
cupboard



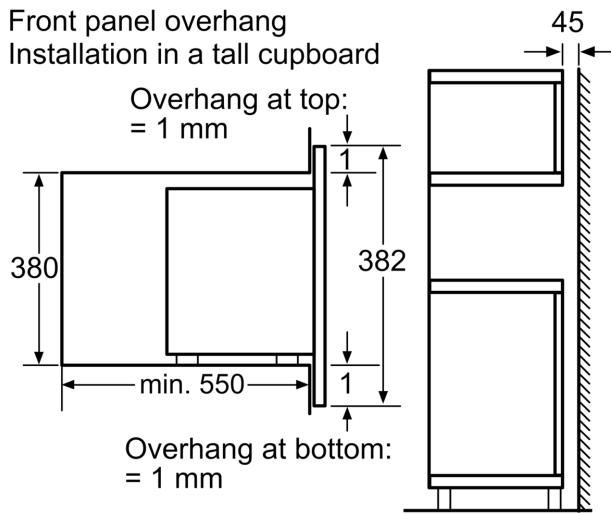
Measurements in mm

Steamer
in the wall-hanging
cupboard



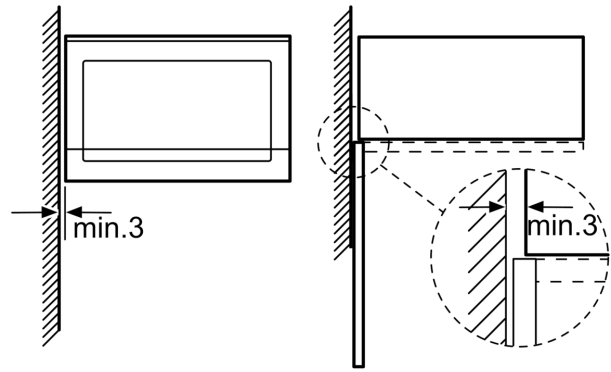
Measurements in mm

Steamer
Front panel overhang
Installation in a tall cupboard



Measurements in mm

Steamer
corner installation



Measurements in mm