

**Serie | 6, built-in microwave, Stainless steel
HMT75M654B**



**The built-in microwave for the 38 cm niche:
use it for extra fast thawing, heating and
perfect preparation of foods.**

- **Frameless design:** easy installation, harmonious integration into the kitchen furniture and easy to clean.
- **AutoPilot 7:** every dish is a perfect success thanks to 7 pre-set automatic programmes.
- **Side-opening door:** convenient opening thanks to left-hinged door.

Technical data

Type of micro-wave oven :	MW only
Type of control :	Electronic
Color / Material Front :	Stainless steel
Dimensions of the product (mm) :	382 x 594 x 317
Cavity dimensions (mm) :	201.0 x 308.0 x 282.0
Length electrical supply cord (cm) :	130
Net weight (kg) :	15.955
Gross weight (kg) :	17.6
Maximum micro-wave power (W) :	800
Number of Power Levels :	5
Turntable :	Yes
Cavity material :	Stainless steel
Door opening :	Button
Clock :	Yes
Main colour of product :	Stainless steel
Height of the product (mm) :	382
Width of the product (mm) :	594
Depth of the product :	317
Maximum micro-wave power (W) :	800
Connection Rating (W) :	1270
Current (A) :	10
Voltage (V) :	230-240
Frequency (Hz) :	50
Plug type :	GB plug
Color / Material Front :	Stainless steel
Approval certificates :	CE
Appliance Dimensions (h x w x d) (in) :	x x
Dimensions of the packed product (in) :	17.32 x 14.96 x 25.98
Net weight (lbs) :	35
Gross weight (lbs) :	39



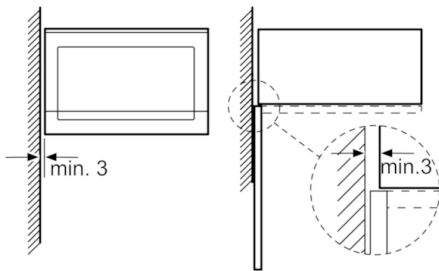
Serie | 6, built-in microwave, Stainless steel HMT75M654B

**The built-in microwave for the 38 cm niche:
use it for extra fast thawing, heating and
perfect preparation of foods.**

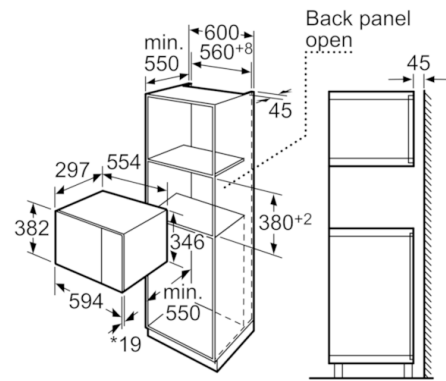
-
- Can be built in a 60 cm wall cupboard or highboard cabinet.
 - User-friendly electronics: extremely easy and comfortable operation
 - 5 power levels: 800 W, 600 W, 360 W, 180 W, 90 W
 - Stainless steel interior, 20 litres
 - 25.5 cm glass turntable
 - Timer up to 60 minutes
Automatic safety switch-off
 - Halogen lighting
 - Side opening door with viewing window

**Serie | 6, built-in microwave, Stainless steel
HMT75M654B**

Microwave,
corner installation



Measurements in mm



* 20 mm for metal fascias

measurements in mm