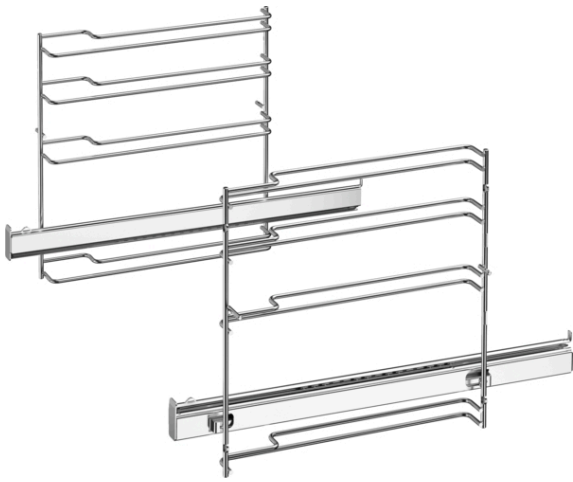


Full extension rail, 1-level, Stainless steel HEZ638D10



Technical data

Dimensions of the packed product (HxWxD) :

90 x 310 x 410 mm

Pallet dimensions :

100.0 x 80.0 x 120.0

Standard number of units per pallet :

50

Net weight :

1.702 kg

Gross weight :

2.0 kg



4 242002 810171