

**Serie | 2, built-in oven, Stainless steel
HBN559E1M**



Included accessories

- 1 x enamel baking tray
- 1 x combination grid
- 1 x universal pan

The built-in oven with special hot air function: you achieve perfect baking and roasting results on up to two levels simultaneously.

- **Hotair:** perfect results thanks to optimal distribution of heat on up to 2 levels simultaneously.
- **Energy efficiency class A:** Best baking results with low energy consumption.

Technical data

Color / Material Front :	Stainless steel
Built-in / Free-standing :	Built-in
Integrated Cleaning system :	No
Required niche size for installation (HxWxD) :	575-597 x 560-568 x 550
Dimensions of the product (mm) :	595 x 595 x 548
Dimensions of the packed product (HxWxD) (mm) :	675 x 680 x 655
Control Panel Material :	Stainless steel
Door Material :	Glass
Net weight (kg) :	32.181
Usable volume of cavity (l) :	66
Cooking method :	3D hot air, Bottom heat, Conventional heat, Defrost, Full width variable grill, Half width variable grill, Hot air grilling, Pizza setting
First cavity material :	Enamelled
Number of interior lights :	1
Approval certificates :	CE, KEMA
Length electrical supply cord (cm) :	100
Interior Lights - cavity 1 :	1
Pull-out system :	1-level
Clock function :	Alarm, Off, On
Included accessories :	1 x enamel baking tray, 1 x combination grid, 1 x universal pan
Broil Element Wattages Cavity 1 (kW) :	2800
Energy efficiency class (2010/30/EC) :	A
Energy consumption per cycle conventional (2010/30/EC) :	0.98
Energy consumption per cycle forced air convection (2010/30/EC) :	0.82
Energy efficiency index (2010/30/EC) :	98.8
Connection Rating (W) :	2900
Current (A) :	13
Voltage (V) :	220-240
Frequency (Hz) :	50; 60
Plug type :	no plug
Color / Material Front :	Stainless steel
Energy input :	Electric
Approval certificates :	CE, KEMA
Required cutout/niche size for installation (in) :	x x
Dimensions of the packed product (in) :	26.57 x 25.78 x 26.77
Net weight (lbs) :	71.000
Gross weight (lbs) :	76
Length electrical supply cord (cm) :	100
Net weight (kg) :	32.181
Gross weight (kg) :	34.0

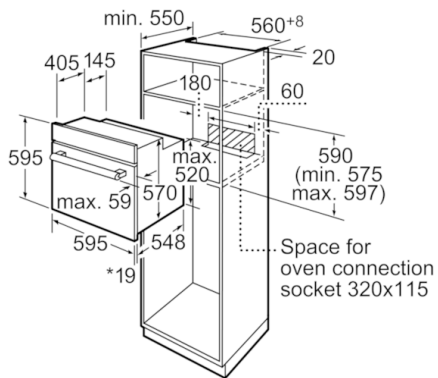


Serie | 2, built-in oven, Stainless steel HBN559E1M

The built-in oven with special hot air function: you achieve perfect baking and roasting results on up to two levels simultaneously.

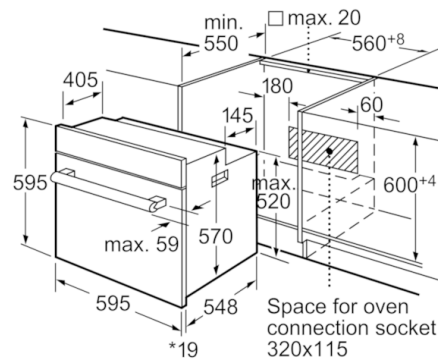
-
- 8 heating modes: Defrost setting, Top/bottom heat, Pizza setting, Bottom heat, Hot air grilling, 3D-hot air, Half width variable grill, Full width variable grill
 - Rapid heat function
 - Temperature range 50 °C - 270 °C
 - Pop-out controls
 - Electronic clock
 - Childproof lock
 - Cavity volume: 67 l
 - Halogen lighting
 - Enamelled cavity
 - Removable shelf with telescopic rail
 - 1 x enamel baking tray, 1 x combination grid, 1 x universal pan
 - Integral cooling fan
 - Total connected load electric: 3.45 KW
 - 595 mm x 595 mm x 548 mm

Serie | 2, built-in oven, Stainless steel
HBN559E1M



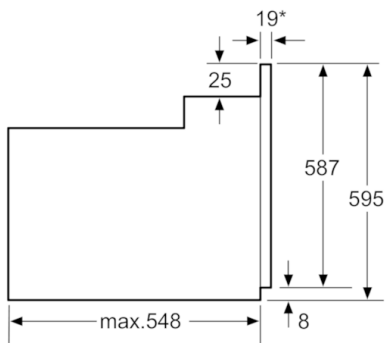
*20 mm for metal fascias

Measurements in mm



*20 mm for metal fascias

Measurements in mm



* 20 mm for metal fascias

Dimensions in mm