

**Series 8, built-in oven, 60 x 60 cm,
Stainless steel
HBG656RS1B**



Included accessories

2 x combination grid
1 x universal pan

Optional accessories

HEZ327000 : Pizza stone
HEZ638300 : 3 level telescopic rails, full ext

Technical data

Gross weight : 38.7 kg
Color / Material Front : Stainless steel
Built-in / Free-standing : Built-in
Integrated Cleaning system : catalytic all sides, Hydrolytic
Min. required niche size for installation (HxWxD) : 585-595 x 560-568 x 550 mm
Dimensions : 595 x 594 x 548 mm
Dimensions of the packed product (HxWxD) : 670 x 680 x 670 mm
Control Panel Material : Stainless steel
Door Material : Glass
Net weight : 36.3 kg
Usable volume of cavity : 71 l
Cooking method : , 4D hot air, Bottom heat, Defrost, Full width grill, Half width grill, Hot Air-Eco, Hot air grilling, Pizza setting, pre-heating, Slow cooking, Top and bottom heating, warming
Number of interior lights : 1
Length electrical supply cord : 120 cm
Interior Lights - cavity 1 : 1
Pull-out system : 1-level
Clock function : Alarm, Off, On
Included accessories : 2 x combination grid, 1 x universal pan
Broil Element Wattages Cavity 1 : 2800 W
Convection Element Wattages Cavity 1 : 2200 W
Energy efficiency rating : A+
Energy consumption per cycle conventional (2010/30/EC) : 0.87 kWh/cycle
Energy consumption per cycle forced air convection (2010/30/EC) : 0.69 kWh/cycle
Energy efficiency index (2010/30/EC) : 81.2 %
Connection Rating : 3600 W
Fuse protection : 16 A
Voltage : 220-240 V
Frequency : 60; 50 Hz
Plug type : no plug
Color / Material Front : Stainless steel
Energy input : Electric
Required cutout/niche size for installation (in) : x x
Dimensions of the packed product : 26.37 x 26.37 x 26.77
Net weight : 80.000 lbs
Gross weight : 85.000 lbs
Length electrical supply cord : 120 cm
Net weight : 36.3 kg
Included accessories : 2 x combination grid, 1 x universal pan



4 242002 807911

Series 8, built-in oven, 60 x 60 cm, Stainless steel

HBG656RS1B

Programmes/ Additional Features:

- 13 heating methods: 4D hot air, Hot Air-Eco, Top and bottom heating, Top and bottom heating Eco, Hot air grilling, Radiant grill large area, Radiant grill small area, Pizza setting, Bottom heat, Slow cooking, Defrost setting, Plate warming, Keep warm
- Cavity volume: 71L

Design:

Key Features:

- ecoClean® Plus: ceiling, back panel, side liners
- ecolyse program

Design:

- IC6_CBO_62
- Door hinge: bottom, softClose door, softOpen door
- Automatic programmes
- baking sensor multipoint temperature probe
- Electronic clock
- Rapid heating-up
- Halogen interior lighting, Switch for oven illumination
- Enamel cavity

Hook-in racks / rails

Accessory:

- 1 x universal pan, 2 x combination grid

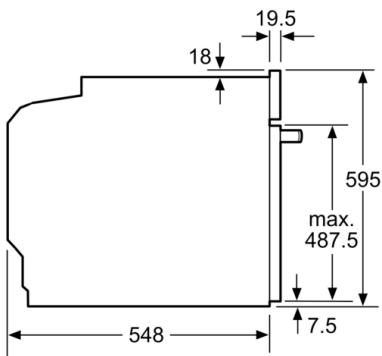
Safety:

- Childproof lock Automatic switch off Residual heat indicator Start button door contact switch

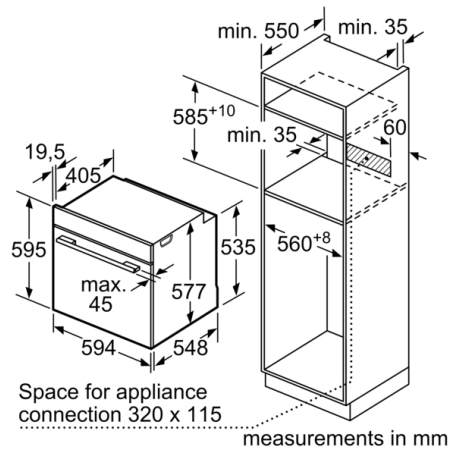
Technical Information:

- Length of mains cable: 120 cm
- Total connected load: 3.6kW
- 595 mm x 594 mm x 548 mm
- 595 mm x 594 mm x 548 mm
- Please reference the built-in dimensions provided in the installation drawing

Series 8, built-in oven, 60 x 60 cm, Stainless steel
HBG656RS1B



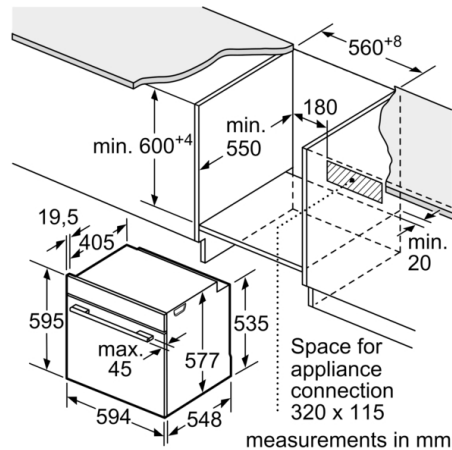
measurements in mm



measurements in mm

If the appliance will be installed underneath a hob, the following worktop thicknesses (including substructure if necessary) must be taken into account.

Hob type	min. worktop thickness	
	fitted	flush
Induction hob	37 mm	38 mm
Full surface Induction hob	47 mm	48 mm
Gas hob	30 mm	38 mm
Electric hob	27 mm	30 mm



measurements in mm