

**Series 8, built-in oven, 60 x 60 cm,
White
HBG634BW1**



1 x enamel baking tray, 1 x combination grid, 1 x universal pan

HEZ327000 Pizza stone, HEZ530000 Half tray, HEZ531010 Baking tray, non-stick ceramic coated, HEZ532010 Universal pan, non-stick ceramic coated, HEZ617000 Pizza pan, enamelled, HEZ625071 Grill tray, anthracite, HEZ631070 Baking tray, enamelled, HEZ632070 Multipurpose pan, enamelled, HEZ633001 Lid for professional pan, enamelled, HEZ633070 Professional pan, enamelled, HEZ634000 Baking and roasting grid (standard), HEZ635000 Barbecue-Set, HEZ636000 Glass pan, HEZ638100 1 level telescopic shelf rail, full ext, HEZ638200 2 level telescopic shelf rails, full ext, HEZ638300 3 level telescopic rails, full ext, HEZ660050 Cover Strip, HEZ664000 Baking and roasting grid (steam), HEZ915003 Glass roasting dish, 5,4 L, HEZG0AS00 Connecting cable 3m

The built-in oven: you get perfect baking and roasting results.

Gross weight: 37.1 kg
 Built-in / Free-standing: Built-in
 Integrated Cleaning system: Hydrolytic
 Min. required niche size for installation (HxWxD): 585-595 x 560-568 x 550 mm
 Dimensions: 595 x 594 x 548 mm
 Dimensions of the packed product (HxWxD): 670 x 670 x 680 mm
 Control Panel Material: Glass
 Door Material: Glass
 Net weight: 34.7 kg
 Usable volume of cavity: 71 l
 Heating Types: . 4D hot air, Defrost, Full width grill, Hot Air-Eco, Half width grill, Conventional heat, Conventional heat ECO, Pizza setting, low temperature cooking, Bottom heat, Hot air grilling, pre-heating, warming
 Number of interior lights: 1
 Length electrical supply cord: 120.0 cm
 Interior Lights - cavity 1: 1
 Pull-out system: Accessory
 Included accessories: 1 x enamel baking tray, 1 x combination grid, 1 x universal pan
 Broil Element Wattages Cavity 1: 2800 W
 Convection Element Wattages Cavity 1: 2200 W
 Energy efficiency rating (2010/30/EU): A+
 Energy consumption per cycle conventional (2010/30/EC):0.87 kWh/cycle
 Energy consumption per cycle forced air convection (2010/30/EC):69 kWh/cycle
 Energy efficiency index (2010/30/EC):81.2 %
 Connection Rating: 3600 W
 Fuse protection:16 A
 Voltage: 220-240 V
 Frequency: 60; 50 Hz
 Plug type: Gardy plug w/ earthing
 Alternative colors available: HBG634BB1, HBG634BS1
 Energy input:Electric
 Required cutout/niche size for installation (in):x
 Dimensions of the packed product: 26.37 x 26.37 x 26.77
 Net weight:76.000 lbs
 Gross weight: 82.000 lbs
 Length electrical supply cord: 120.0 cm
 Net weight: 34.7 kg



Series 8, built-in oven, 60 x 60 cm, White HBG634BW1

The built-in oven: you get perfect baking and roasting results.

Programmes/ Additional Features:

- 13 heating methods: 4D hot air, Hot Air-Eco, Top and bottom heating, Top and bottom heating Eco, Hot air grilling, Radiant grill large area, Radiant grill small area, Pizza setting, Bottom heat, Slow cooking, Defrost setting, Plate warming, Keep warm
- Cavity volume: 71L

Design:

Key Features:

- ecoClean® Plus: back panel

Design:

- IC6_CBO_61
- Door hinge: bottom, softClose door, softOpen door
- Electronic clock
- Rapid heating-up
- Halogen interior lighting, Switch for oven illumination
- Enamel cavity

Hook-in racks / rails

Accessory:

- 1 x universal pan, 1 x combination grid, 1 x enamel baking tray

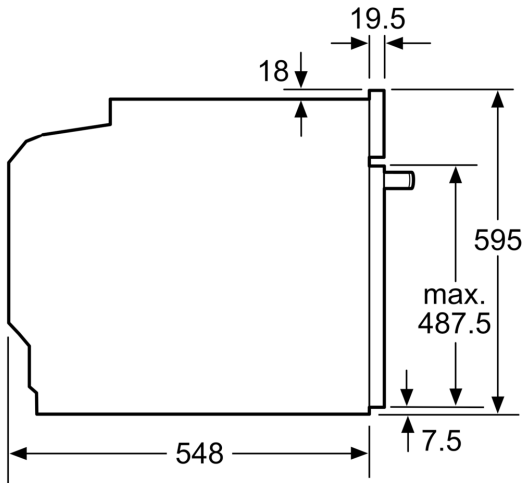
Safety:

- Childproof lock Automatic switch off Residual heat indicator Start button door contact switch

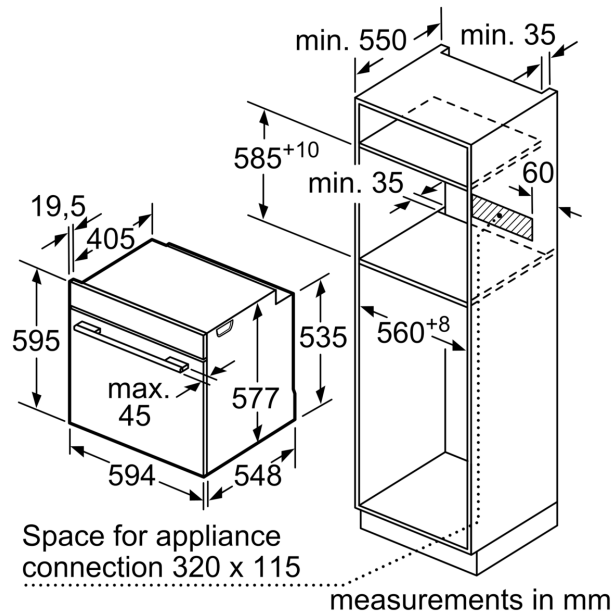
Technical Information:

- Length of mains cable: 120 cm
- Total connected load: 3.6kW
- 595 mm x 594 mm x 548 mm
- 595 mm x 594 mm x 548 mm
- Please reference the built-in dimensions provided in the installation drawing

**Series 8, built-in oven, 60 x 60 cm,
White
HBG634BW1**



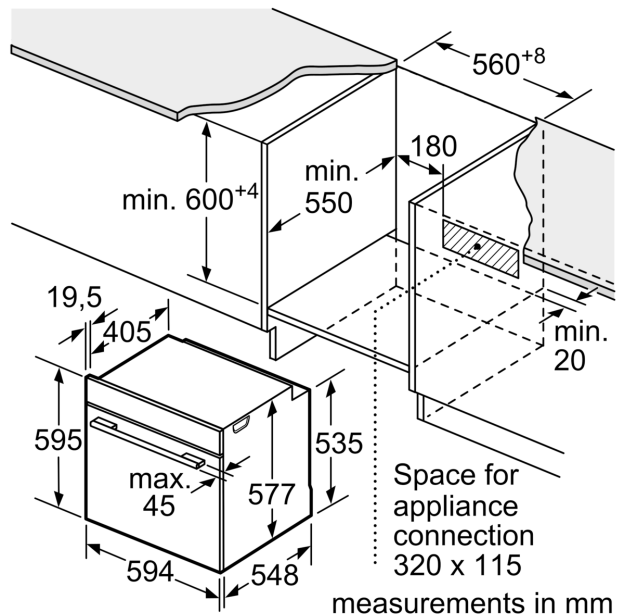
measurements in mm



measurements in mm

If the appliance will be installed underneath a hob, the following worktop thicknesses (including substructure if necessary) must be taken into account.

Hob type	min. worktop thickness	
	fitted	flush
Induction hob	37 mm	38 mm
Full surface Induction hob	47 mm	48 mm
Gas hob	30 mm	38 mm
Electric hob	27 mm	30 mm



measurements in mm