

**Serie | 2, built-in oven, 60 x 60 cm,  
Stainless steel  
HBF133BS0B**



**Included accessories**

1 x insert grid  
1 x combination grid  
1 x universal pan

**Optional accessories**

HEZ317000 : Pizza pan, grey enamelled  
HEZ327000 : Pizza stone  
HEZ333001 : Lid for professional pan

**The built-in oven with 3D hot air: achieve  
perfect baking and roasting results on up to  
three levels simultaneously.**

**Technical data**

Color / Material Front :	Stainless steel
Built-in / Free-standing :	Built-in
Integrated Cleaning system :	catalytic partial
Required niche size for installation (HxWxD) :	575-597 x 560-568 x 550
Dimensions :	595 x 594 x 548
Dimensions of the packed product (HxWxD) (mm) :	670 x 690 x 670
Control Panel Material :	Stainless steel
Door Material :	Glass
Net weight (kg) :	34.096
Usable volume of cavity (l) :	66
Cooking method :	Conventional heat, Full width variable grill, Hot Air, Hotair gentle, Hot air grilling
First cavity material :	Other
Number of interior lights :	1
Approval certificates :	CE, VDE
Length electrical supply cord (cm) :	100
Interior Lights - cavity 1 :	1
Pull-out system :	Accessory
Clock function :	Alarm, Off, On
Included accessories :	1 x insert grid, 1 x combination grid, 1 x universal pan
Broil Element Wattages Cavity 1 (kW) :	2800
Energy efficiency rating :	A
Energy consumption per cycle conventional (2010/30/EC) :	0.98
Energy consumption per cycle forced air convection (2010/30/EC) :	0.79
Energy efficiency index (2010/30/EC) :	95.2
Connection Rating (W) :	2970
Current (A) :	13
Voltage (V) :	220-240
Frequency (Hz) :	60; 50
Plug type :	GB plug
Color / Material Front :	Stainless steel
Energy input :	Electric
Approval certificates :	CE, VDE
Required cutout/niche size for installation (in) :	x x
Dimensions of the packed product (in) :	26.37 x 26.37 x 27.16
Net weight (lbs) :	75.000
Gross weight (lbs) :	80.000
Length electrical supply cord (cm) :	100
Net weight (kg) :	34.096
Gross weight (kg) :	36.2



**Serie | 2, built-in oven, 60 x 60 cm, Stainless steel**  
**HBF133BS0B**

**The built-in oven with 3D hot air: achieve perfect baking and roasting results on up to three levels simultaneously.**

---

**Programmes/ Additional Features:**

- Temperature range 50 °C - 275 °C
- Cavity volume: 66L

**Design:**

- Halogen interior lighting

**Key Features:**

- ecoClean® Plus: back panel
- Rapid heating-up

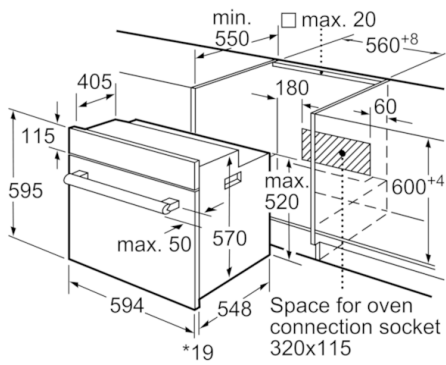
**Technical Information:**

- Total connected load: 2.97kW

**Dimensions (H x W x D):**

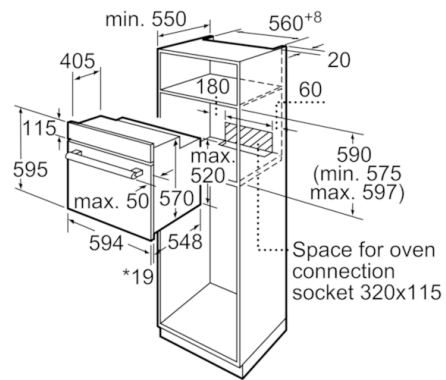
- 595 mm x 594 mm x 548 mm
- Please reference the built-in dimensions provided in the installation drawing

**Serie | 2, built-in oven, 60 x 60 cm, Stainless steel**  
**HBF133BS0B**



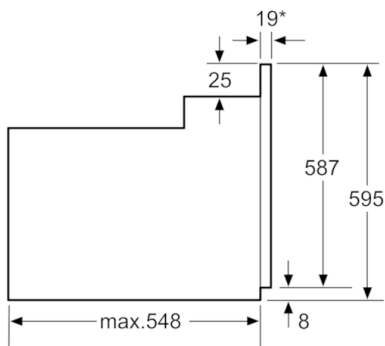
\* 20 mm for metal fascias

measurements in mm



\* 20 mm for metal fascias

measurements in mm



\* 20 mm for metal fascias

Dimensions in mm