

**Serie | 2, built-in oven, 60 x 60 cm,
Stainless steel
HBF113BR0B**



Included accessories

1 x insert grid
1 x combination grid
1 x universal pan

Optional accessories

HEZ327000 : Pizza stone

**The built-in oven with 3D hot air: achieve
perfect baking and roasting results on up to
three levels simultaneously.**

Technical data

Color / Material Front : Stainless steel
Built-in / Free-standing : Built-in
Integrated Cleaning system : No
Required niche size for installation (HxWxD) : 575-597 x 560-568 x 550 mm
Dimensions : 595 x 594 x 548 mm
Dimensions of the packed product (HxWxD) : 670 x 690 x 670 mm
Control Panel Material : Stainless steel
Door Material : Glass
Net weight : 34.096 kg
Usable volume of cavity : 66 l
Cooking method : Conventional heat, Full width variable grill, Hot Air, Hotair gentle, Hot air grilling
First cavity material : Other
Number of interior lights : 1
Approval certificates : CE, VDE
Length electrical supply cord : 100 cm
Interior Lights - cavity 1 : 1
Pull-out system : Accessory
Clock function : Alarm, Off, On
Included accessories : 1 x insert grid, 1 x combination grid, 1 x universal pan
Broil Element Wattages Cavity 1 : 2800 W
Energy efficiency rating : A
Energy consumption per cycle conventional (2010/30/EC) : 0.98 kWh/cycle
Energy consumption per cycle forced air convection (2010/30/EC) : 0.79 kWh/cycle
Energy efficiency index (2010/30/EC) : 95.2 %
Connection Rating : 2970 W
Fuse protection : 13 A
Voltage : 220-240 V
Frequency : 60; 50 Hz
Plug type : GB plug
Color / Material Front : Stainless steel
Energy input : Electric
Approval certificates : CE, VDE
Required cutout/niche size for installation (in) : x x
Dimensions of the packed product : 26.37 x 26.37 x 27.16
Net weight : 75.000 lbs
Gross weight : 80.000 lbs
Length electrical supply cord : 100 cm
Net weight : 34.096 kg
Gross weight : 36.2 kg



Serie | 2, built-in oven, 60 x 60 cm, Stainless steel
HBF113BR0B

The built-in oven with 3D hot air: achieve perfect baking and roasting results on up to three levels simultaneously.

Programmes/ Additional Features:

- Temperature range 50 °C - 275 °C
- Cavity volume: 66L

Design:

- Halogen interior lighting at cavity

Key Features:

- Rapid heating-up

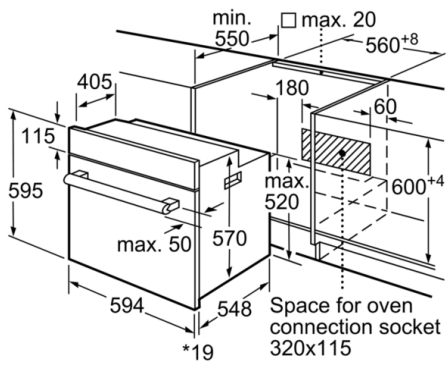
Technical Information:

- Total connected load: 2.97kW

Dimensions (H x W x D):

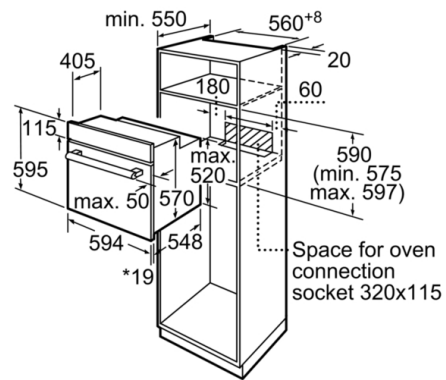
- 595 mm x 594 mm x 548 mm
- Please reference the built-in dimensions provided in the installation drawing
- 595 mm x 594 mm x 548 mm

Serie | 2, built-in oven, 60 x 60 cm, Stainless steel
HBF113BR0B



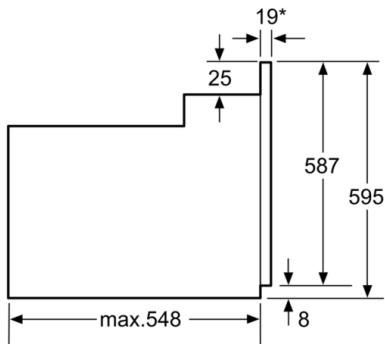
* 20 mm for metal fascias

measurements in mm



* 20 mm for metal fascias

measurements in mm



* 20 mm for metal fascias

Dimensions in mm