

**Serie | 6, wall-mounted cooker hood,
90 cm, clear glass black printed
DWK97JR60**



Inclined hood: optimal for keeping an eye on your pots and pans.

- **PerfectAir sensor:** automatic control of settings for maximal extractor performance with minimal noise.
- **EcoSilence Drive:** our highly efficient motor saves on energy, not on performance.
- **Intensive speed setting:** removes strong kitchen odours especially quickly and effectively.

Technical data

| | |
|--|--|
| Typology : | Chimney |
| Approval certificates : | CE, VDE |
| Length electrical supply cord (cm) : | 130 |
| Height of product, without chimney (mm) : | 323 |
| Net weight (kg) : | 23.554 |
| Type of control : | Electronic |
| Number of speed settings : | 3-stage + 2 intensive |
| Maximum output air extraction (m ³ /h) : | 431 |
| Boost position output recirculating (m ³ /h) : | 632.0 |
| Maximum output recirculating air (m ³ /h) : | 410 |
| Boost position air extraction (m ³ /h) : | 714 |
| Number of lights : | 2 |
| Noise level (dB(A) re 1 pW) : | 53 |
| Diameter of air outlet (mm) : | 120 / 150 |
| Grease filter material : | Washable aluminium |
| Odour filter : | No |
| Operating Mode : | Convertible |
| Delay Shut off modes : | 10 |
| Optional accessories : | DWZ0AK0A0, DWZ0AK0R0, DWZ0AK0S0, DWZ0AK0T0, DWZ0AK0U0, DWZ0AX5K0, DWZ0AX5L0, DWZ1AK1B6, DWZ1AK1I6, DWZ1AK1V6, DWZ1AX5C6, DWZ1AX6E1, DZZ0XX0P0, DZZ1XX1B6 |
| Type of lamps used : | LED |
| Grease filter type : | Kassette |
| Connection Rating (W) : | 143 |
| Current (A) : | 10 |
| Voltage (V) : | 220-240 |
| Frequency (Hz) : | 50; 60 |
| Plug type : | Gardy plug w/ earthing |
| Installation typology : | Wall-mounted |
| Material body : | Glass, Lacquered |
| Approval certificates : | CE, VDE |
| Plug type : | Gardy plug w/ earthing |
| Dimensions of the product, with chimney (if exists) (in) : | / x x |
| Dimensions of the packed product (in) : | 27.16 x 29.13 x 40.94 |
| Net weight (lbs) : | 52.000 |
| Gross weight (lbs) : | 70.000 |
| Motor location : | Integrated motor in hood body |
| No-return airflow flap : | No |
| Length electrical supply cord (cm) : | 130 |
| Dimensions of the product, with chimney (if exists) (mm) : | 452 x 890.0 x 499.0 |
| Dimensions of the packed product (HxWxD) (mm) : | 690 x 740 x 1040 |
| Net weight (kg) : | 23.554 |
| Gross weight (kg) : | 31.9 |



**Serie | 6, wall-mounted cooker hood, 90 cm,
clear glass black printed
DWK97JR60**

**Inclined hood: optimal for keeping an eye on
your pots and pans.**

Design:

- Wall mounted hood
- Appliance colour: Black

Feature:

- BLDC for Ventilation
- Extraction rate according to EN61591: 714 m³/h
- TouchControl
- 3-stage + 2 intensive
- Cooktop-based hood control (with matching cooktop)
- Saturation indicator for metal grease filter
- 2 x 1,5W LED
- Dimmer light function
- SoftLight

Technical Information:

- Energy Efficiency Class: A
- Total connected load: 143 W
- Suitable for ducted or re-circulated extraction
- Dimensions - exhaust air (HxWxD): 928-1198 x 890 x 499 mm

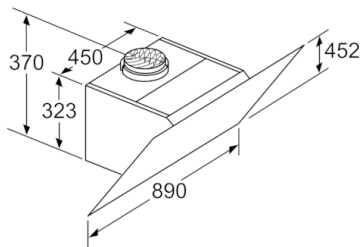
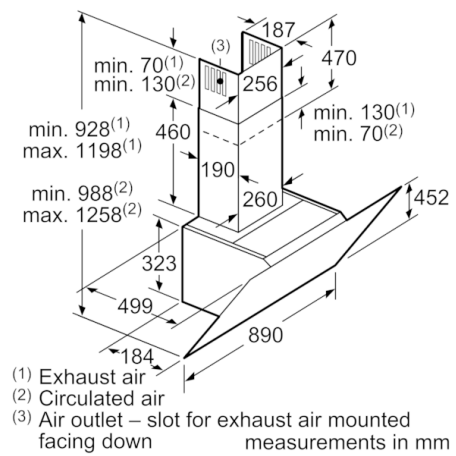
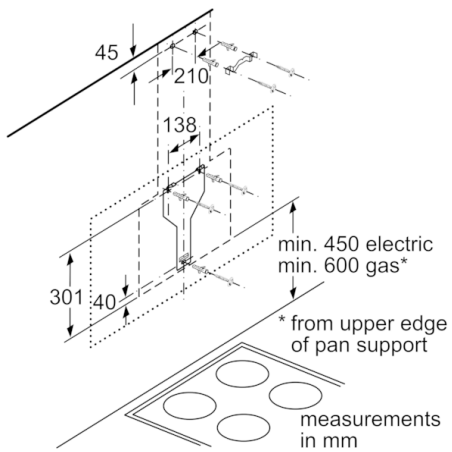
Supplied Accessories:

- Supplied with 2 dishwasher safe metal grease filters
- 150 mm diameter pipe (120 mm adapter enclosed)

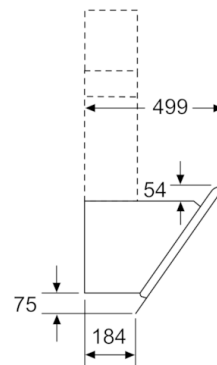
Optional Accessory:

- Charcoal Re-circulating kit

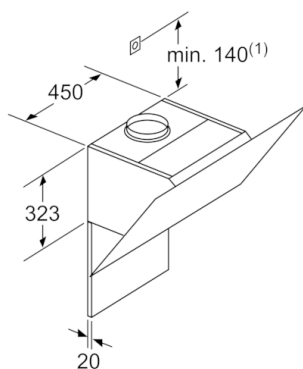
**Serie | 6, wall-mounted cooker hood, 90 cm,
clear glass black printed
DWK97JR60**



Appliance in circulated air mode
without duct
Circulated air set required
measurements in mm



measurements in mm



Note the maximum
thickness of the back panel.
measurements in mm

