

**Serie | 6, wall-mounted cooker hood,
90 cm, clear glass white printed
DWK97JR20**



Inclined hood: optimal for keeping an eye on your pots and pans.

- **PerfectAir sensor:** automatic control of settings for maximal extractor performance with minimal noise.
- **EcoSilence Drive:** our highly efficient motor saves on energy, not on performance.
- **Intensive speed setting:** removes strong kitchen odours especially quickly and effectively.

Technical data

Typology :	Chimney
Approval certificates :	CE, VDE
Length electrical supply cord (cm) :	130
Height of product, without chimney (mm) :	323
Net weight (kg) :	23.154
Type of control :	Electronic
Number of speed settings :	3-stage + 2 intensive
Maximum output air extraction (m ³ /h) :	431
Boost position output recirculating (m ³ /h) :	632.0
Maximum output recirculating air (m ³ /h) :	410
Boost position air extraction (m ³ /h) :	714
Number of lights :	2
Noise level (dB(A) re 1 pW) :	53
Diameter of air outlet (mm) :	120 / 150
Grease filter material :	Washable aluminium
Odour filter :	No
Operating Mode :	Convertible
Delay Shut off modes :	10
Optional accessories :	DWZ0AK0A0, DWZ0AK0R0, DWZ0AK0S0, DWZ0AK0T0, DWZ0AK0U0, DWZ0AX5K0, DWZ0AX5L0, DWZ1AK1B6, DWZ1AK1I6, DWZ1AK1V6, DWZ1AX5C6, DZZ0XX0P0, DZZ1XX1B6
Type of lamps used :	LED
Grease filter type :	Kassette
Connection Rating (W) :	143
Current (A) :	10
Voltage (V) :	220-240
Frequency (Hz) :	50; 60
Plug type :	Gardy plug w/ earthing
Installation typology :	Wall-mounted
Material body :	Glass, Lacquered
Approval certificates :	CE, VDE
Plug type :	Gardy plug w/ earthing
Dimensions of the product, with chimney (if exists) (in) :	/ x x
Dimensions of the packed product (in) :	27.16 x 29.13 x 40.94
Net weight (lbs) :	51.000
Gross weight (lbs) :	69.000
Motor location :	Integrated motor in hood body
No-return airflow flap :	No
Length electrical supply cord (cm) :	130
Dimensions of the product, with chimney (if exists) (mm) :	452 x 890.0 x 499.0
Dimensions of the packed product (HxWxD) (mm) :	690 x 740 x 1040
Net weight (kg) :	23.154
Gross weight (kg) :	31.5



**Serie | 6, wall-mounted cooker hood, 90 cm,
clear glass white printed
DWK97JR20**

**Inclined hood: optimal for keeping an eye on
your pots and pans.**

Design:

- Wall mounted hood
- Appliance colour: White

Feature:

- BLDC for Ventilation
- Extraction rate according to EN61591: 714 m³/h
- TouchControl
- 3-stage + 2 intensive
- Cooktop-based hood control (with matching cooktop)
- Saturation indicator for metal grease filter
- 2 x 1,5W LED
- Dimmer light function
- SoftLight

Technical Information:

- Energy Efficiency Class: A
- Total connected load: 143 W
- Suitable for ducted or re-circulated extraction
- Dimensions - exhaust air (HxWxD): 928-1198 x 890 x 499 mm

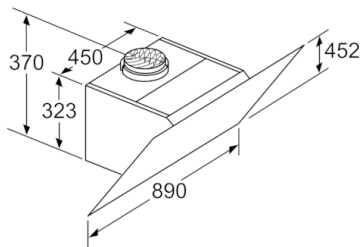
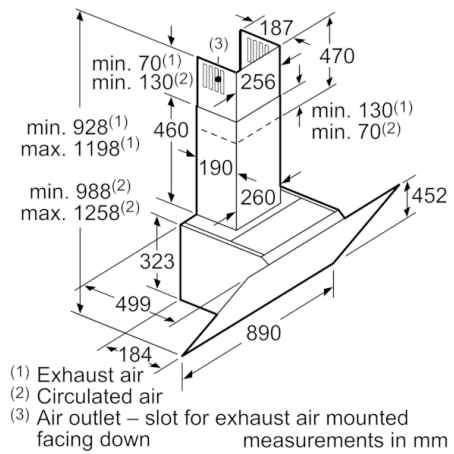
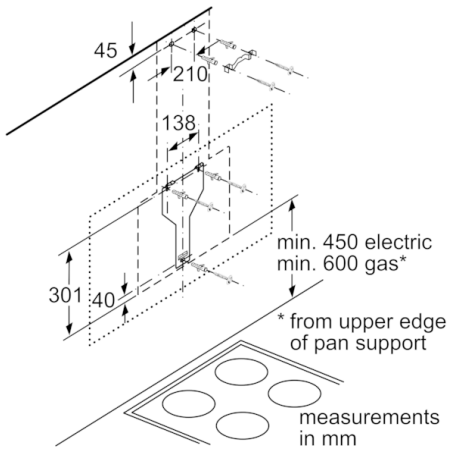
Supplied Accessories:

- Supplied with 2 dishwasher safe metal grease filters
- 150 mm diameter pipe (120 mm adapter enclosed)

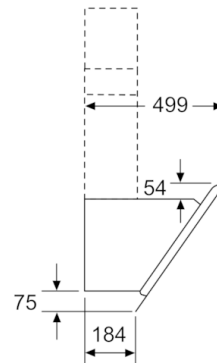
Optional Accessory:

- Charcoal Re-circulating kit

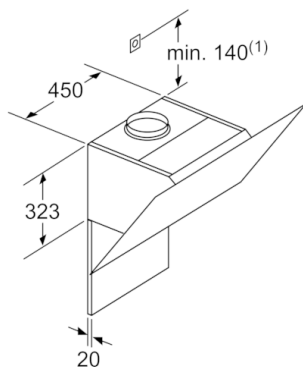
**Serie | 6, wall-mounted cooker hood, 90 cm,
clear glass white printed
DWK97JR20**



Appliance in circulated air mode
without duct
Circulated air set required
measurements in mm



measurements in mm



Note the maximum thickness of the back panel.
measurements in mm

