

**Series 6, wall-mounted cooker hood,
90 cm, Stainless steel
DWB97CM50B**



**The wall-mounted chimney hood: mount it
on the wall, giving you complete freedom
in your kitchen planning.**

- **EcoSilence Drive:** the powerful, energy-saving drive for hoods.
- **TouchSelect control:** quick touch-control selection of desired settings and light.
- **Intensive speed setting:** removes strong kitchen odours especially quickly and effectively.

DHZ1223	Chimney extension 1000 mm
DHZ1233	Chimney extension 1500 mm
DWZ0XX0J5	Long Life recirculation kit
DWZ1CX116	Clean Air Plus recirculation kit
DWZ2CB114	Clean Air Standard recirculation kit
DWZ2CX5C6	Clean Air Plus recirc. kit external
DWZ2FX5D1	Long Life recirculation kit external
DZZ0XX0P0	Long Life odor filter (replacement)
DZZ1XX1B6	Clean Air Plus odor filter (replacement)
DZZ2CB1B4	Clean Air Standard odor filter (repl.)

Typology:	Wall-mounted
Length electrical supply cord:	130.0 cm
Height of the chimney:	582-908/568-1018 mm
Height of product, without chimney:	46 mm
Net weight:	17.6 kg
Control panel:	Electronic
Number of speed settings:	3-stages + intensive setting
Maximum output air extraction:	440 m ³ /h
Boost position output recirculating:	442 m ³ /h
Maximum output recirculating air:	343 m ³ /h
Boost position air extraction:	722 m ³ /h
Number of lights:	3
Noise level:	55 dB(A) re 1pW
Diameter of air outlet:	120 / 150 mm
Grease filter material:	Washable aluminium
Odour filter:	No
Operating Mode:	Exhaust or re-circulate air operation
Optional accessories:	DHZ1223, DHZ1233, DWZ0XX0J5, DWZ1CX116, DWZ2CB114, DWZ2CX5C6, DWZ2FX5D1, DZZ0XX0P0, DZZ1XX1B6, DZZ2CB1B4
Type of lamps used:	LED
Grease filter type:	Kassette
Clean filter reminders:	No
Connection Rating:	145 W
Fuse protection:	10 A
Voltage:	220-240 V
Frequency:	50; 60 Hz
Plug type:	GB plug
Installation typology:	Wall-mounted
Material body:	Stainless steel
Plug type:	GB plug
Dimensions of the product, with chimney (if exists) (in):	x x
Dimensions of the packed product:	23.03 x 25.59 x 38.18
Net weight:	39.000 lbs
Gross weight:	53.000 lbs
Motor location:	Integrated motor in hood chimney
No-return airflow flap:	Yes
Length electrical supply cord:	130.0 cm
Dimensions of the product, with chimney (if exists):	614-1064 x 898.0 x 500.0 mm
Dimensions of the packed product (HxWxD):	585 x 650 x 970 mm
Net weight:	17.6 kg
Gross weight:	24.1 kg



**Series 6, wall-mounted cooker hood,
90 cm, Stainless steel
DWB97CM50B**

**The wall-mounted chimney hood: mount it
on the wall, giving you complete freedom
in your kitchen planning.**

Design:

- 90 cm wide
- Chimney hood
- Appliance colour: brushed steel
- Suitable for ducted or re-circulated extraction

Feature:

- BLDC for Ventilation Motor
- Extraction rate according to EN61591: 728 m³/h
- TouchControl
- 3 speeds plus intensive setting ventilation power settings
- 3 x 1,5W LED

Technical Information:

- Total connected load: 145 W
- Dimensions exhaust air (HxWxD): 614 -954 x 898 x 500
- Dimensions - recirculating (HxWxD): 614-1064 x 898 x 500 mm

Supplied Accessories:

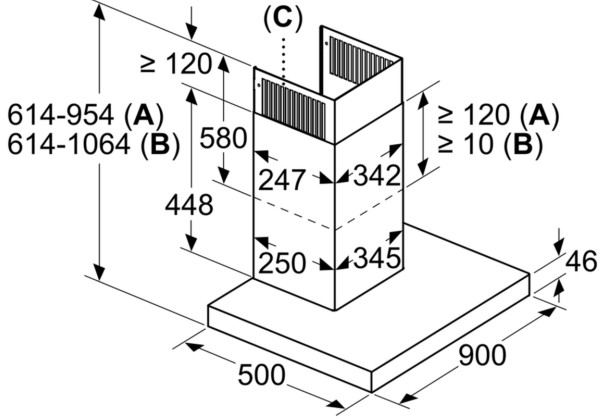
- Supplied with 3 dishwasher safe metal grease filters
- 150 mm diameter pipe (120 mm adapter enclosed)

Optional Accessory:

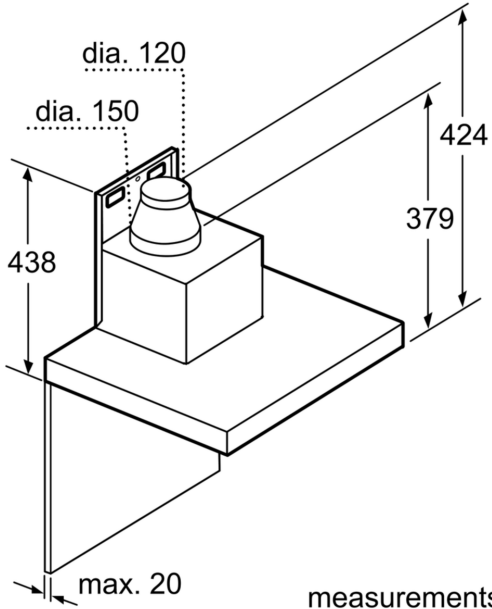
- cleanAir Recirculation kit

Series 6, wall-mounted cooker hood,
90 cm, Stainless steel
DWB97CM50B

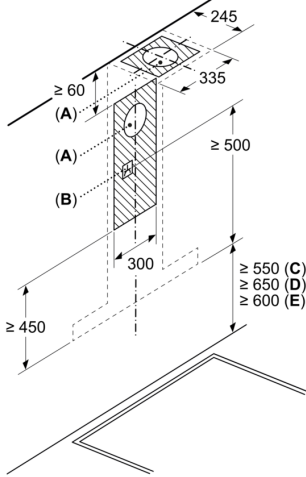
measurements in mm



- A: Air extraction
- B: Air recirculation
- C: Air outlet – slots for exhaust air to be mounted facing down

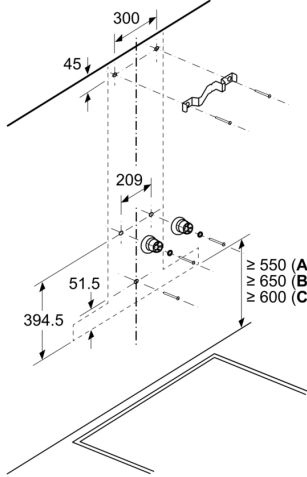


Measurements in mm



- A: Exhaust air outlet
- B: Socket
- C: Electric
- D: Gas - from upper edge of pan support
- E: Electric - for Australia and New Zealand

Measurements in mm



- A: Electric
- B: Gas - from upper edge of pan support
- C: Electric - for Australia and New Zealand