

**Serie | 6, wall-mounted cooker hood,
90 cm, Stainless steel
DWB091E59**



A

The wall-mounted chimney hood: mount it on the wall, giving you complete freedom in your kitchen planning.

- **Extraction rate:** at 810 m³/h, it quickly ensures optimal kitchen air quality.
- **Intensive speed setting with reset:** automatically resets the hood to normal speed setting after 6 min..
- **Especially quiet:** high performance at just 52 dB.
- **LED lighting:** for perfect, very energy-efficient illumination of the hob.

Technical data

Color chimney :	Stainless steel
Typology :	Chimney
Approval certificates :	CE, VDE
Length electrical supply cord (cm) :	130
Height of the chimney (mm) :	582-908/582-1018
Height of product, without chimney (mm) :	46
Net weight (kg) :	20.513
Type of control :	Electronic
Number of speed settings :	3-stage + 2 intensive
Maximum output air extraction (m ³ /h) :	610
Boost position output recirculating (m ³ /h) :	480
Maximum output recirculating air (m ³ /h) :	400
Boost position air extraction (m ³ /h) :	810
Number of lights :	3
Noise level (dB(A) re 1 pW) :	66
Diameter of air outlet (mm) :	120 / 150
Grease filter material :	Washable stainless steel
Odour filter :	No
Operating Mode :	Convertible
Delay Shut off modes :	10M
Optional accessories :	DHZ1223, DHZ1233, DHZ5345, DHZ5346, DSZ5201, DSZ6240, DZZ0XX0P0
Type of lamps used :	LED
Total power of the lamps (W) :	9
Grease filter type :	Multilayer
Connection Rating (W) :	269
Current (A) :	10
Voltage (V) :	220-240
Frequency (Hz) :	50; 60
Plug type :	Gardy plug w/ earthing
Installation typology :	Wall-mounted
Material body :	Stainless steel
Approval certificates :	CE, VDE
Plug type :	Gardy plug w/ earthing
Dimensions of the product, with chimney (if exists) (in) :	/ x x
Dimensions of the packed product (in) :	23.03 x 25.59 x 38.18
Net weight (lbs) :	45
Gross weight (lbs) :	58
Motor location :	Integrated motor in hood chimney
No-return airflow flap :	No
Length electrical supply cord (cm) :	130
Dimensions of the product, with chimney (if exists) (mm) :	628-1064 x 900 x 500
Dimensions of the packed product (HxWxD) (mm) :	585 x 650 x 970
Net weight (kg) :	20.513
Gross weight (kg) :	26.2



Serie | 6, wall-mounted cooker hood, 90 cm, Stainless steel DWB091E59

**The wall-mounted chimney hood: mount it
on the wall, giving you complete freedom in
your kitchen planning.**

Operating mode / operation

- Suitable for ducted or re-circulated extraction
- Extraction rate exhaust air according to EN 61591:
max. normal use 610 m³/h, intensive 810 m³/h

Feature:

- 3-stage + 2 intensive
- Rim ventilation
- Automatic reset facility from intensive to normal setting

Design:

- 90 cm wide
- Wall mounted hood
- Wall fixing system
- Appliance colour: brushed steel
- LED light
- SoftLight
- Dimmer light function
- Push button controls
- Electronic controls via Push button controls
- Filter cover stainless steel
- Saturation indicator for metal grease filter
- Additional noise insulation
- Supplied with 3 dishwasher safe metal grease filters

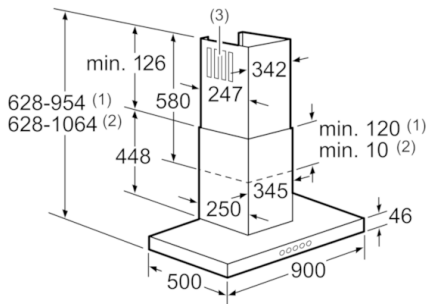
Optional Accessory:

- cleanAir Recirculation kit

Technical Information:

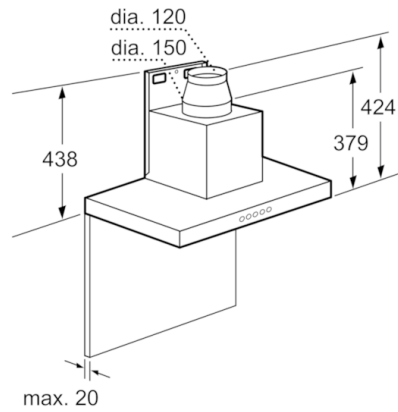
- Dimensions - exhaust air (HxWxD): 628-954 x 900 x 500 mm
- Dimensions - recirculating (HxWxD): 628-1064 x 900 x 500 mm
- 150 mm diameter pipe (120 mm adapter enclosed)
- Total connected load: 269 W

**Serie | 6, wall-mounted cooker hood, 90 cm,
Stainless steel
DWB091E59**

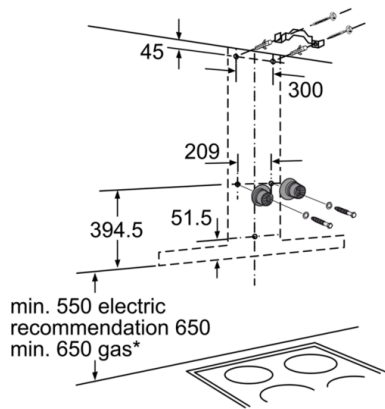


- (1) Exhaust air
- (2) Circulated air
- (3) Air outlet - install with vent at bottom for exhaust air

Measurements in mm

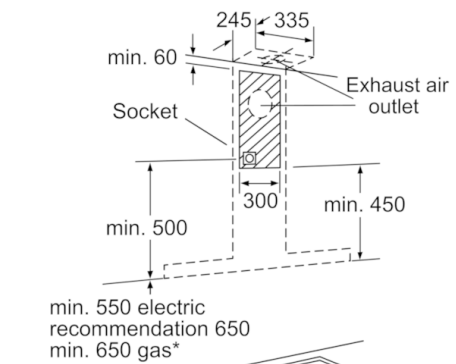


Measurements in mm



* from upper edge of pan support

Measurements in mm



* from upper edge of pan support

Measurements in mm