

**Series 6, canopy cooker hood, 70 cm,
Stainless steel
DHL785C**



- DWZ1IX1B6 Clean Air Plus odor filter (replacement)
- DWZ1IX1C6 Clean Air Plus recirc. kit external
- DHZ5316 Standard odor filter (replacement)
- DHZ5605 Standard recirculation kit
- DWZ0IT0P0 Long Life odor filter (replacement)
- DWZ1IT1D1 Long Life recirculation kit external

The canopy cooker hood: offers you flexibility in your kitchen planning - mount it either on the wall or above a kitchen island.

- **Intensive speed setting:** removes strong kitchen odours especially quickly and effectively.
- **Metal Grease Filter:** cleans the air, captures grease, easy monthly clean-up.

Typology: Built-in/Built-under
 Length electrical supply cord: 150.0 cm
 Min. required niche size for installation (HxWxD): 418mm x 676.0mm x 264mm mm
 Net weight:9.0 kg
 Control panel:Electronic
 Number of speed settings: 3-stages + intensive setting
 Maximum output air extraction: 630 m³/h
 Boost position output recirculating:664 m³/h
 Maximum output recirculating air: 571 m³/h
 Boost position air extraction: 730 m³/h
 Number of lights:2
 Noise level:66 dB(A) re 1 pW
 Diameter of air outlet: 150 / 120 mm
 Grease filter material:Washable aluminium
 Odour filter: No
 Operating Mode:Exhaust or re-circulate air operation
 Optional accessories: DWZ1IX1B6, DWZ1IX1C6, DHZ5316, DHZ5605, DWZ0IT0P0, DWZ1IT1D1
 Type of lamps used: LED
 Total power of the lamps: 2 W
 Grease filter type:Kassette
 Connection Rating: 277 W
 Fuse protection:3 A
 Voltage: 220-240 V
 Frequency: 50 Hz
 Plug type: Gardy plug w/ earthing
 Installation typology: Built-in
 Material body: Stainless steel
 Plug type: Gardy plug w/ earthing
 Dimensions of the product, with chimney (if exists) (in):x x
 Dimensions of the packed product: 14.56 x 18.30 x 34.84
 Net weight:20.000 lbs
 Gross weight: 28.000 lbs
 Motor location: Integrated motor in hood body
 No-return airflow flap: Yes
 Length electrical supply cord: 150.0 cm
 Dimensions of the product, with chimney (if exists):418 x 700.0 x 300.0 mm
 Dimensions of the packed product (HxWxD): 370 x 465 x 885 mm
 Net weight:9.0 kg
 Gross weight: 12.9 kg



**Series 6, canopy cooker hood, 70 cm,
Stainless steel
DHL785C**

The canopy cooker hood: offers you flexibility in your kitchen planning - mount it either on the wall or above a kitchen island.

Design:

- Canopy hood
- Electronic controls
- Push button controls
- LED spot 1W
- Rim ventilation

Feature:

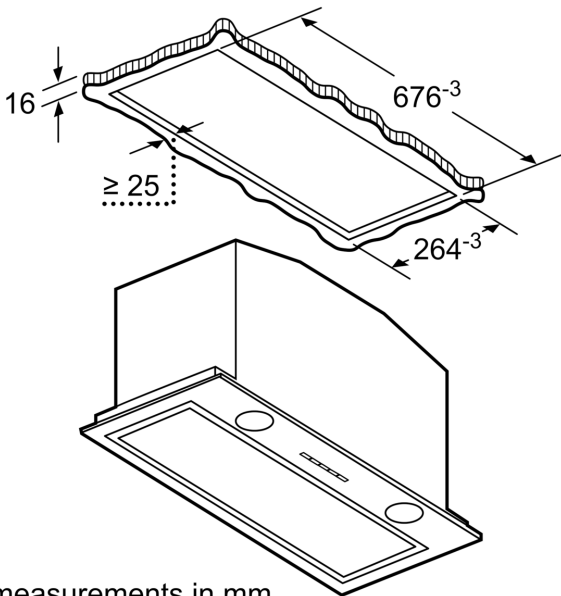
- 3 speeds plus intensive setting ventilation power settings
- Suitable for ducted or re-circulated extraction
- Filter cover stainless steel
- Saturation indicator for metal grease filter
- Twin channel high performance fan motor

Technical information:

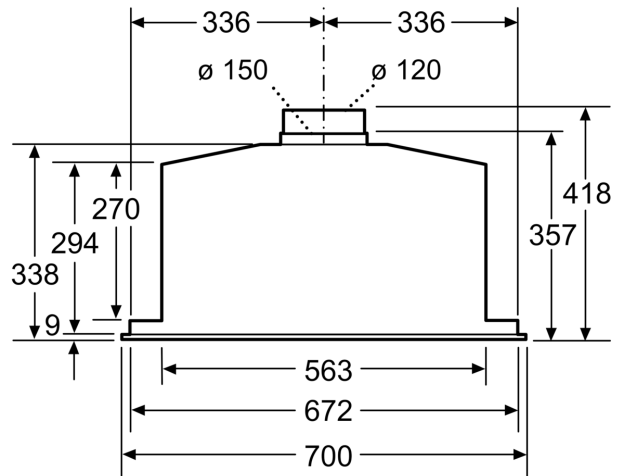
- Total connected load: 277 W
- 150 mm diameter pipe (120 mm adapter enclosed)
- Dimensions (HxWxD): 418 x 700 x 300 mm
- Supplied with 2 dishwasher safe metal grease filters

Optional Accessory:

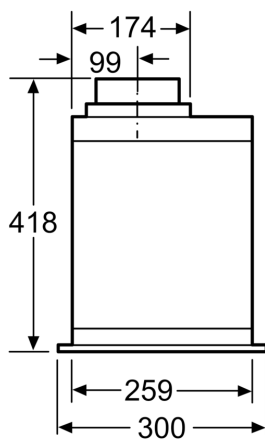
**Series 6, canopy cooker hood, 70 cm,
Stainless steel
DHL785C**



measurements in mm

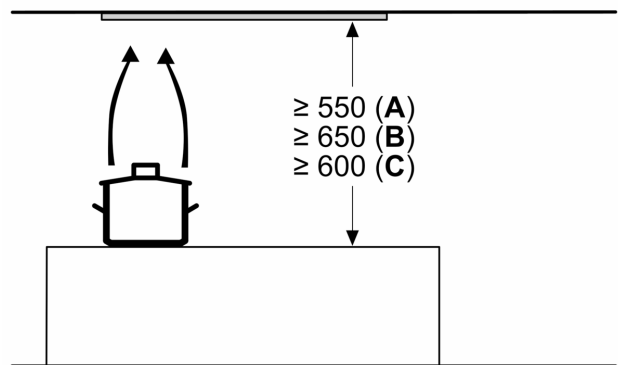


measurements in mm



measurements in mm

Measurements in mm



A: Electric

B: Gas - from upper edge of pan support

C: Electric - for Australia and New Zealand