

Series 8, telescopic cooker hood, 90 cm, Stainless steel DFS098K53



Optional accessories

DSZ4920 : Installation kit for 90cm wide wall unit

The telescopic cooker hood: practically disappears into your upper cabinet, giving you a sleek kitchen front.

- **Extra silent:** the high-performance hood, with minimal noise.
- **EcoSilence Drive™:** the powerful, energy-saving drive for hoods.
- **LED lighting:** for perfect, very energy-efficient illumination of the hob.
- **Intensive speed setting:** removes strong kitchen odours especially quickly and effectively.

Technical data

Typology : Pull-out

Length electrical supply cord : 175 cm

Min. required niche size for installation (HxWxD) : 337mm x 524.0mm x 290mm mm

Net weight : 15.0 kg

Type of control : Electronic

Number of speed settings : 3-stage + 2 intensive

Maximum output air extraction : 412 m³/h

Boost position output recirculating : 746 m³/h

Maximum output recirculating air : 392 m³/h

Boost position air extraction : 867 m³/h

Number of lights : 2

Noise level : 52 dB(A) re 1 pW

Diameter of air outlet : 120 / 150 mm

Grease filter material : Washable stainless steel

Odour filter : No

Operating Mode : Exhaust or re-circulate air operation

Delay Shut off modes : 10 min

Optional accessories : DSZ4920, DSZ4960, DWZ0IT0P0, DWZ1IT1D1, DSZ4561, DSZ4565, DSZ4681, DSZ4683, DWZ1IX1C6, DWZ1IX1B6

Type of lamps used : LED

Total power of the lamps : 6 W

Grease filter type : Kasette

Connection Rating : 166 W

Fuse protection : 10 A

Voltage : 220-240 V

Frequency : 60; 50 Hz

Plug type : Gardy plug w/ earthing

Installation typology : Built-in

Material body : Stainless steel

Plug type : Gardy plug w/ earthing

Dimensions of the product, with chimney (if exists) (in) : / x x

Dimensions of the packed product : 15.74 x 37.00 x 19.29

Net weight : 33.000 lbs

Gross weight : 40.000 lbs

Motor location : Integrated motor in hood body

No-return airflow flap : No

Length electrical supply cord : 175 cm

Dimensions of the product, with chimney (if exists) : 378 x 898.0 x 290.0 mm

Dimensions of the packed product (HxWxD) : 400 x 940 x 490 mm

Net weight : 15.0 kg

Gross weight : 17.9 kg



4 242002 966182

Series 8, telescopic cooker hood, 90 cm, Stainless steel DFS098K53

The telescopic cooker hood: practically disappears into your upper cabinet, giving you a sleek kitchen front.

Design:

- Telescopic cooker hoods
- 90 cm wide
- Appliance colour: brushed steel

Feature:

- BLDC for Ventilation
- Extraction rate according to EN61591: 728 m³/h
- 3-stage + 2 intensive ventilation power settings
- Electronic controls via TouchControl
- Saturation indicator for metal grease filter
- PerfectAir Sensor
- LED light
- Dimmer light function
- SoftLight

Technical Information:

- Energy Efficiency Class: A
- Total connected load: 166 W
- Suitable for ducted or re-circulated extraction
- Dimensions (HxWxD): 337 x 898 x 290 mm

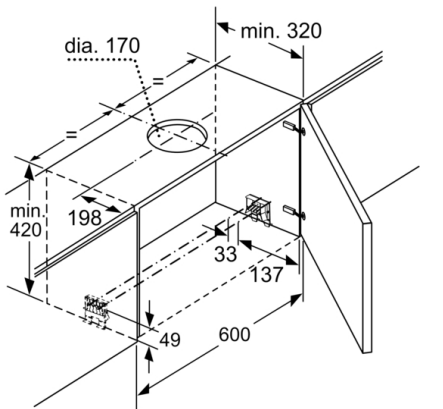
Supplied Accessories:

- Supplied with 3 dishwasher safe metal grease filters
- 150 mm diameter pipe (120 mm adapter enclosed)

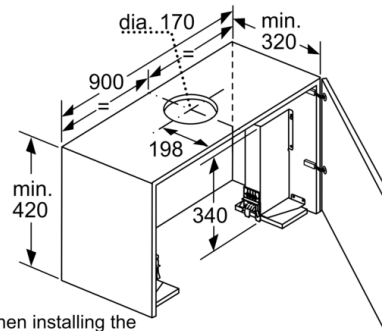
Optional Accessory:

- Charcoal Re-circulating kit
- Dimensions (HxWxD): 378 x 898 x 290 mm

**Series 8, telescopic cooker hood, 90 cm,
Stainless steel
DFS098K53**

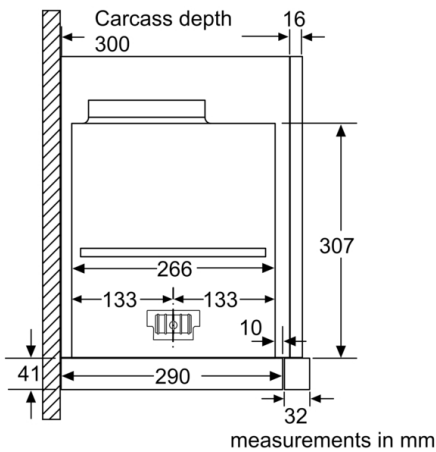


measurements in mm

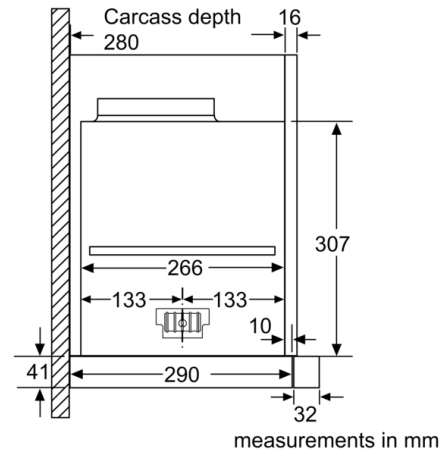


When installing the 90 cm telescopic hood in a 90 cm wide wall-hanging cupboard, the mounting kit is required. The two mounting brackets are screwed onto the right and left of the kitchen unit. Installation in accordance with template.

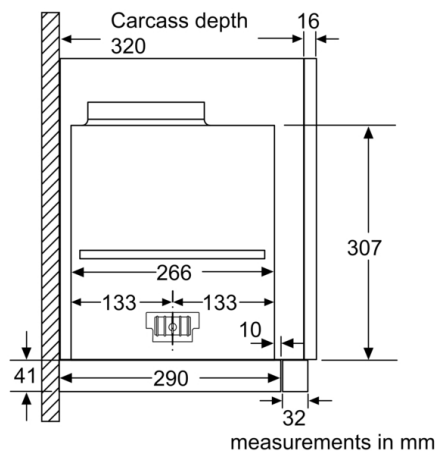
measurements in mm



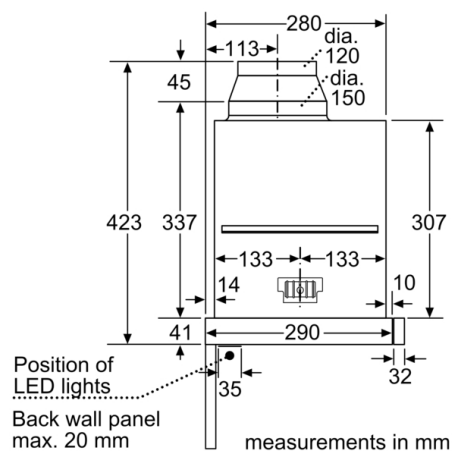
measurements in mm



measurements in mm

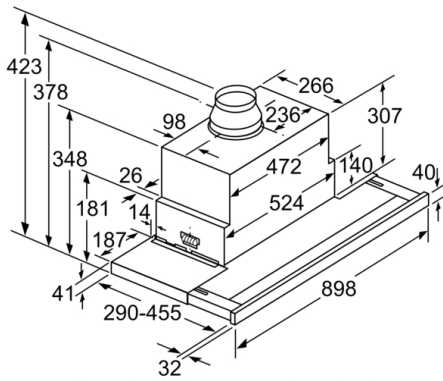


measurements in mm



measurements in mm

**Series 8, telescopic cooker hood, 90 cm,
Stainless steel
DFS098K53**



Depth of the filter drawer can be adjusted
by up to 29 mm measurements in mm