

Serie | 8, telescopic cooker hood, 60 cm, Stainless steel DFS068K50



The telescopic cooker hood: practically disappears into your upper cabinet, giving you a sleek kitchen front.

- **Intensive speed setting:** removes strong kitchen odours especially quickly and effectively.

Technical data

Typology :	Pull-out
Approval certificates :	CE, VDE
Length electrical supply cord (cm) :	175
Required niche size for installation (HxWxD) :	337mm x 524.0mm x 290mm
Net weight (kg) :	13.566
Type of control :	Electronic
Number of speed settings :	3-stage + 2 intensive
Maximum output air extraction (m ³ /h) :	411
Boost position output recirculating (m ³ /h) :	791.0
Maximum output recirculating air (m ³ /h) :	398
Boost position air extraction (m ³ /h) :	854
Number of lights :	2
Noise level (dB(A) re 1 pW) :	52
Diameter of air outlet (mm) :	120 / 150
Grease filter material :	Washable stainless steel
Odour filter :	No
Operating Mode :	Convertible
Delay Shut off modes :	10
Optional accessories :	
	DSZ4561, DSZ4565, DSZ4660, DSZ4680, DSZ4681, DSZ4683, DWZ1IX1C6, DWZ0IT0P0, DWZ1IT1D1, DWZ1IX1B6
Type of lamps used :	LED
Total power of the lamps (W) :	6
Grease filter type :	Kassette
Connection Rating (W) :	166
Current (A) :	10
Voltage (V) :	220-240
Frequency (Hz) :	50; 60
Plug type :	Gardy plug w/ earthing
Installation typology :	Built-in
Material body :	Stainless steel
Approval certificates :	CE, VDE
Plug type :	Gardy plug w/ earthing
Dimensions of the product, with chimney (if exists) (in) :	/ x x
Dimensions of the packed product (in) :	15.74 x 25.19 x 18.89
Net weight (lbs) :	30.000
Gross weight (lbs) :	32.000
Motor location :	Integrated motor in hood body
No-return airflow flap :	No
Length electrical supply cord (cm) :	175
Dimensions of the product, with chimney (if exists) (mm) :	378 x 598.0 x 290.0
Dimensions of the packed product (HxWxD) (mm) :	400 x 640 x 480
Net weight (kg) :	13.566
Gross weight (kg) :	14.6



**Serie | 8, telescopic cooker hood, 60 cm,
Stainless steel
DFS068K50**

The telescopic cooker hood: practically disappears into your upper cabinet, giving you a sleek kitchen front.

Design:

- Telescopic cooker hoods
- 60 cm wide
- Install into a 60cm wide wall cupboard
- Appliance colour: brushed steel

Feature:

- BLDC for Ventilation
- Extraction rate according to EN61591: 854 m³/h
- TouchControl
- 3-stage + 2 intensive
- PerfectAir Sensor
- Saturation indicator for metal grease filter
- LED light
- Dimmer light function
- SoftLight

Technical Information:

- Energy Efficiency Class: A
- Total connected load: 166 W
- Suitable for ducted or re-circulated extraction
- Dimensions (HxWxD): 337 x 598 x 290 mm

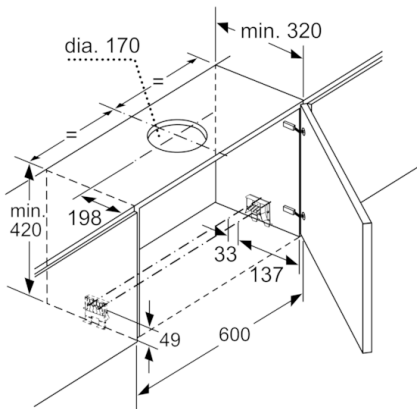
Supplied Accessories:

- Supplied with 2 dishwasher safe metal grease filters
- 150 mm diameter pipe (120 mm adapter enclosed)

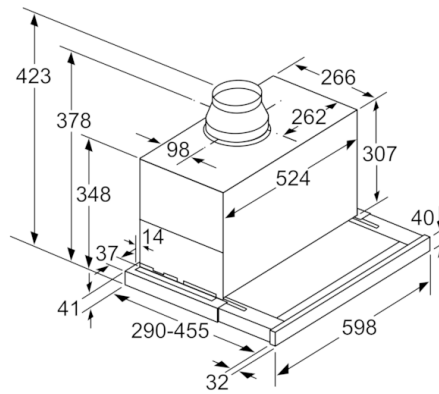
Optional Accessory:

- Charcoal Re-circulating kit

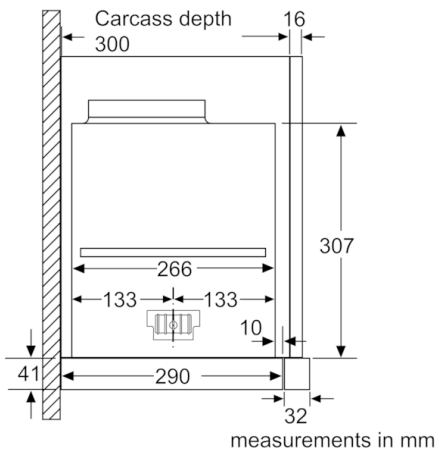
**Serie | 8, telescopic cooker hood, 60 cm,
Stainless steel
DFS068K50**



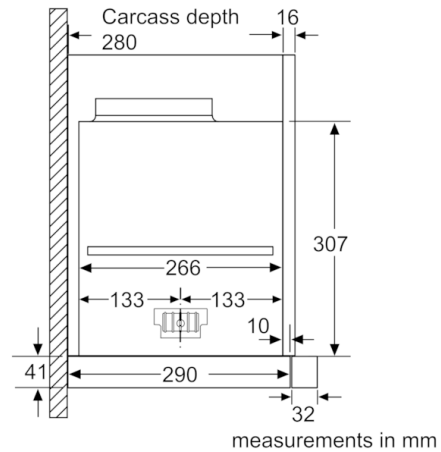
measurements in mm



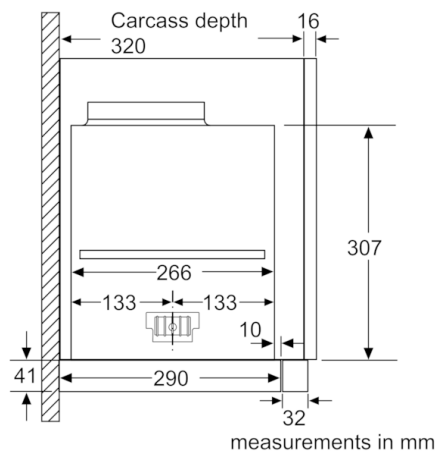
measurements in mm



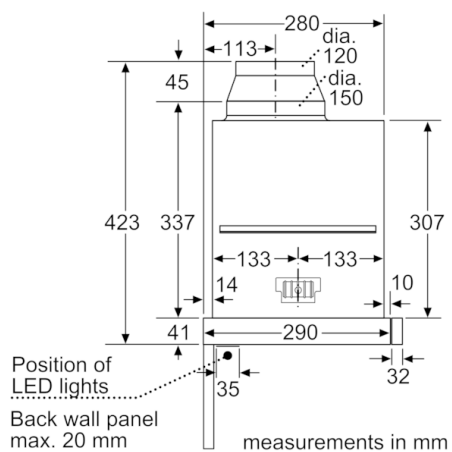
measurements in mm



measurements in mm



measurements in mm



measurements in mm