

Series 4, telescopic cooker hood, 60 cm, Silver metallic DFS067A51



DSZ4660	Lowering frame
DWZ2IT1B4	Clean Air Standard odor filter (repl.)
DWZ2IT1I4	Clean Air Standard recirculation kit

Telescopic cooker hood: barely visible integrated in the wall unit, this ensures a clear kitchen design.

- **Extra silent:** the high-performance hood, with minimal noise.
- **EcoSilence Drive:** the powerful, energy-saving drive for hoods.
- **Glacier Aesthetics with Practical Design**

Typology: Pull-out
 Length electrical supply cord: 175 cm
 Required niche size for installation (HxWxD): ... 385mm x 524.0mm x 290mm mm
 Net weight: 10.9 kg
 Control panel: Electronic
 Number of speed settings: 3-stages + intensive setting
 Maximum output air extraction: 399 m³/h
 Boost position output recirculating: 628 m³/h
 Maximum output recirculating air: 358 m³/h
 Boost position air extraction: 728 m³/h
 Number of lights: 2
 Noise level: 53 dB(A) re 1pW
 Diameter of air outlet: 120 / 150 mm
 Grease filter material: Washable stainless steel
 Odour filter: Exhaust or re-circulate air operation
 Operating Mode: Exhaust or re-circulate air operation
 Optional accessories: DSZ4660, DSZ4682, DSZ4686, DWZ0IT0P0, DWZ1IT1D1, DWZ1IX1B6, DWZ1IX1C6, DWZ2IT1B4, DWZ2IT1I4
 Type of lamps used: LED
 Total power of the lamps: 4 W
 Grease filter type: Kasette
 Clean filter reminders: No
 Connection Rating: 144 W
 Fuse protection: 10 A
 Voltage: 220-240 V
 Frequency: 50; 60 Hz
 Plug type: Gardy plug w/ earthing
 Installation typology: Built-in
 Material body: zinc plated
 Plug type: Gardy plug w/ earthing
 Dimensions of the product, with chimney (if exists) (in): x x
 Dimensions of the packed product: 15.74 x 25.19 x 19.29
 Net weight: 24.000 lbs
 Gross weight: 28.000 lbs
 Motor location: Integrated motor in hood body
 No-return airflow flap: Yes
 Length electrical supply cord: 175 cm
 Dimensions of the product, with chimney (if exists): 400 x 600 x 290.0 mm
 Dimensions of the packed product (HxWxD): 400x640x490 mm
 Net weight: 10.9 kg
 Gross weight: 12.6 kg

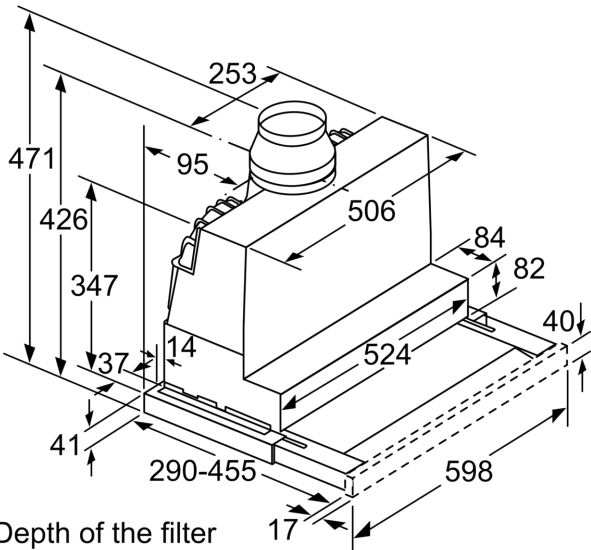


**Series 4, telescopic cooker hood, 60
cm, Silver metallic
DFS067A51**

**Telescopic cooker hood: barely visible
integrated in the wall unit, this ensures a
clear kitchen design.**

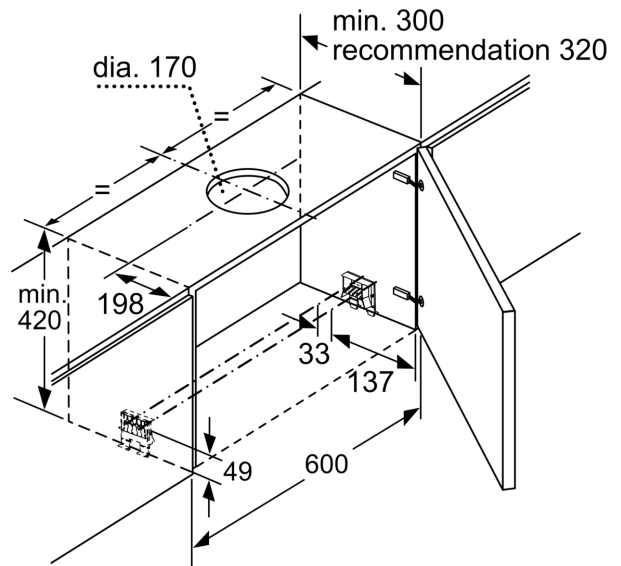
-
- 60 cm wide
 - Appliance colour: silver metallic
 - Install into a 60cm wide wall cupboard
 - Suitable for ducted or re-circulated extraction
 - Electronic controls via Push button controls
 - 3 speeds plus intensive setting ventilation power settings
 - 2 x 1,5W LED
 - Supplied with 2 dishwasher safe metal grease filters
 - Extraction rate according to EN61591: 728 m³/h
 - BLDC for Ventilation
 - Total connected load: 144 W
 - Electrical cable length 1.75 m
 - Dimensions (HxWxD): 426 x 598 x 290 mm
 - Dimensions (HxWxD): 385 x 598 x 290 mm
 - 150 mm diameter pipe (120 mm adapter enclosed)

Series 4, telescopic cooker hood, 60 cm, Silver metallic
DFS067A51

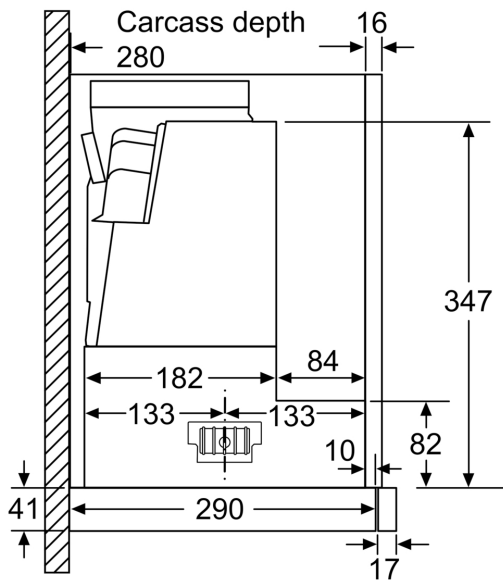


Depth of the filter drawer can be adjusted by up to 29 mm

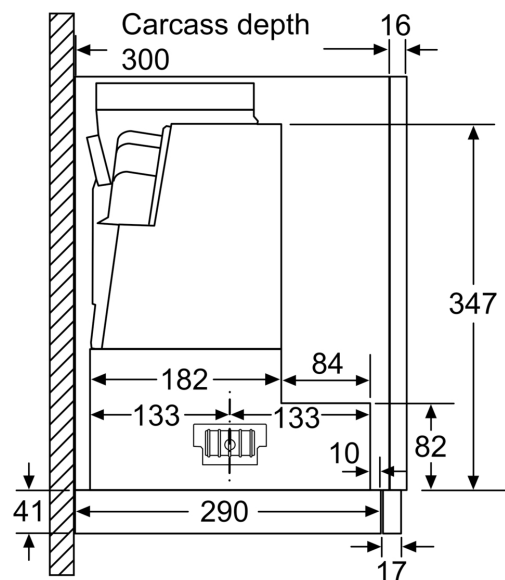
measurements in mm



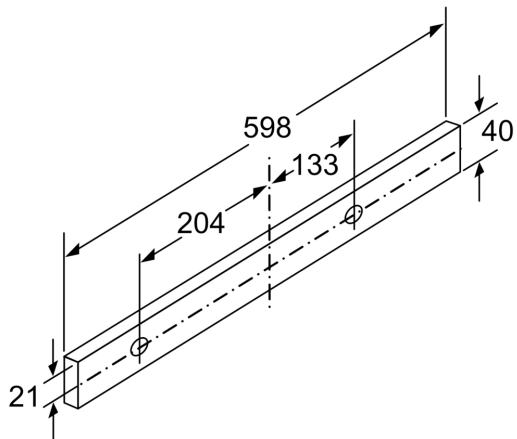
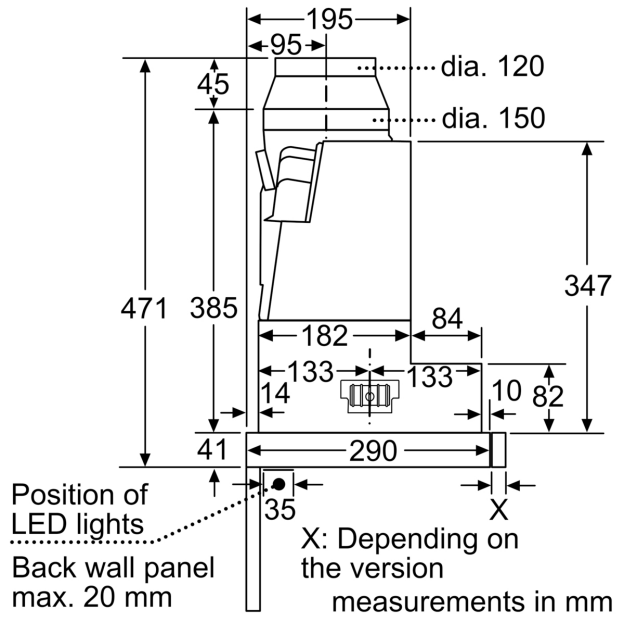
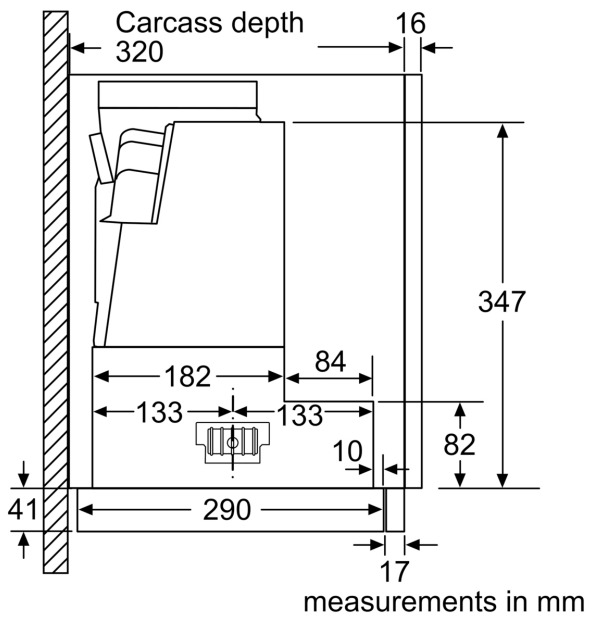
measurements in mm



measurements in mm



measurements in mm



measurements in mm