

Serie | 6, telescopic cooker hood, 90 cm, Stainless steel DFR097T50



Optional accessories

DSZ4920 : Installation kit for 90cm wide wall unit

The telescopic cooker hood: practically disappears into your upper cabinet, giving you a sleek kitchen front.

- **EcoSilence Drive:** our highly efficient motor saves on energy, not on performance.
- **LED lighting:** for perfect, very energy-efficient illumination of the hob.
- **Intensive speed setting:** removes strong kitchen odours especially quickly and effectively.

Technical data

Typology : Pull-out
 Approval certificates : CE, VDE
 Length electrical supply cord : 175 cm
 Required niche size for installation (HxWxD) : 385mm x 524.0mm x 290mm mm
 Net weight : 14.282 kg
 Type of control : Electronic
 Number of speed settings : 3-stage + 2 intensive
 Maximum output air extraction : 395 m³/h
 Boost position output recirculating : 628 m³/h
 Maximum output recirculating air : 358 m³/h
 Boost position air extraction : 708 m³/h
 Number of lights : 2
 Noise level : 56 dB(A) re 1 pW
 Diameter of air outlet : 120 / 150 mm
 Grease filter material : Washable stainless steel
 Odour filter : No
 Operating Mode : Convertible
 Delay Shut off modes : 1 min
 Optional accessories : DSZ4561, DSZ4565, DSZ4680, DSZ4681, DSZ4683, DSZ4920, DSZ4952, DSZ4955, DSZ4956, DSZ4960, DSZ4975, DWZ0IT0P0, DWZ1IT1D1, DWZ1IX1B6, DWZ1IX1C6
 Type of lamps used : LED
 Total power of the lamps : 6 W
 Grease filter type : Kasette
 Connection Rating : 146 W
 Fuse protection : 10 A
 Voltage : 220-240 V
 Frequency : 60; 50 Hz
 Plug type : Gardy plug w/ earthing
 Installation typology : Built-in
 Material body : Stainless steel
 Approval certificates : CE, VDE
 Plug type : Gardy plug w/ earthing
 Dimensions of the product, with chimney (if exists) (in) : / x x
 Dimensions of the packed product : 15.55 x 37.00 x 18.70
 Net weight : 31.000 lbs
 Gross weight : 35.000 lbs
 Motor location : Integrated motor in hood body
 No-return airflow flap : No
 Length electrical supply cord : 175 cm
 Dimensions of the product, with chimney (if exists) : 426 x 898.0 x 290.0 mm
 Dimensions of the packed product (HxWxD) : 395 x 940 x 475 mm
 Net weight : 14.282 kg
 Gross weight : 15.8 kg



4 242002 878270

**Serie | 6, telescopic cooker hood, 90 cm,
Stainless steel
DFR097T50**

**The telescopic cooker hood: practically
disappears into your upper cabinet, giving
you a sleek kitchen front.**

Design:

- Telescopic cooker hoods
- 90 cm wide
- Installed in 90cm cupboard
- Appliance colour: brushed steel

Feature:

- BLDC for Ventilation
- Extraction rate according to EN61591: 708 m³/h
- Electronic controls via Push button controls
- 3-stage + 2 intensive
- LED light
- Dimmer light function
- SoftLight
- Saturation indicator for metal grease filter

Technical Information:

- Energy Efficiency Class: B
- Total connected load: 146 W
- Suitable for ducted or re-circulated extraction
- Dimensions (HxWxD): 385 x 898 x 290 mm

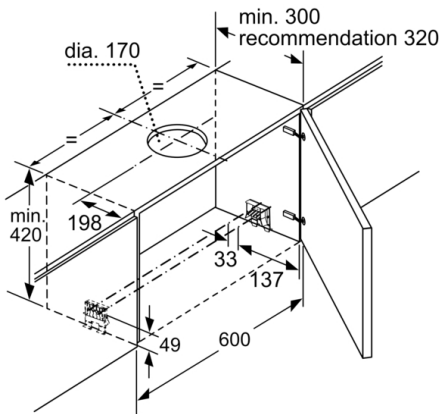
Supplied Accessories:

- Supplied with 3 dishwasher safe metal grease filters
- 150 mm diameter pipe (120 mm adapter enclosed)

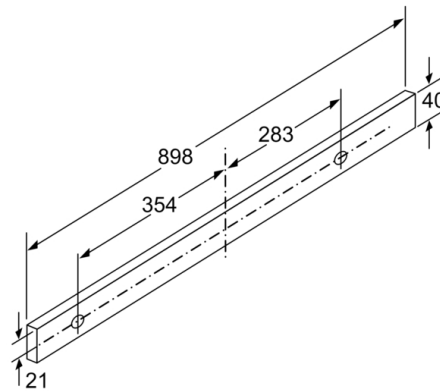
Optional Accessory:

- Charcoal Re-circulating kit

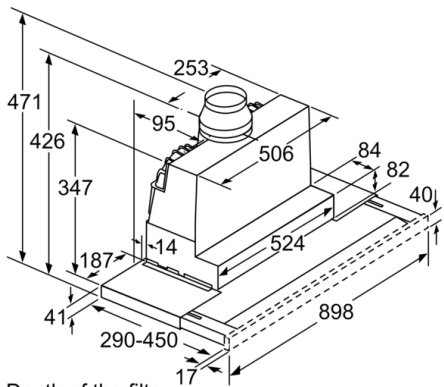
**Serie | 6, telescopic cooker hood, 90 cm,
Stainless steel
DFR097T50**



measurements in mm

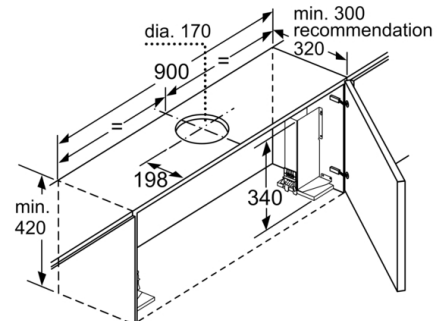


measurements in mm



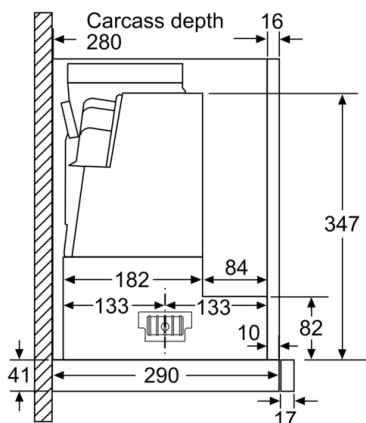
Depth of the filter drawer can be adjusted by up to 29 mm

measurements in mm

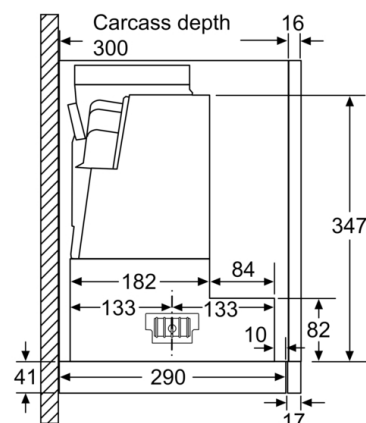


When installing the 90 cm telescopic hood in a 90 cm wide wall-hanging cupboard, a mounting kit is required. The two mounting brackets are screwed onto the left and right of the kitchen unit. Installation in accordance with template.

measurements in mm



measurements in mm



measurements in mm

**Serie | 6, telescopic cooker hood, 90 cm,
Stainless steel
DFR097T50**

