

Serie | 8, Built-in compact oven with added steam function, Stainless steel CRG656BS3

A+


Included accessories

1 x combination grid
1 x universal pan

Optional accessories

HEZ327000 : Pizza stone

- **DishAssist:** automatic setting of the optimal type of heat, temperature and time for countless dishes.
- **TFT touchscreen control:** easy-to-use thanks to the control ring with full text and images.
- **EcoClean Direct:** almost no cleaning is necessary thanks to a special coating that automatically absorbs grime.
- **Energy efficiency class A+:** Best baking results with lower energy consumption.
- **Flap door with SoftOpen and SoftClose:** the oven door opens and closes especially gently and quietly.

Technical data

Color / Material Front :	Stainless steel
Built-in / Free-standing :	Built-in
Integrated Cleaning system :	catalytic all sides
Required niche size for installation (HxWxD) :	450-455 x 560-568 x 550
Dimensions of the product (mm) :	455 x 594 x 548
Dimensions of the packed product (HxWxD) (mm) :	520 x 710 x 650
Control Panel Material :	Stainless steel
Door Material :	Glass
Net weight (kg) :	32.614
Usable volume of cavity (l) :	47
Cooking method :	, 4D hot air, Bottom heat, Conventional heat, Defrost, Full width grill, Half width grill, Hot Air-Eco, Hot air grilling, low temperature cooking, Pizza setting, pre-heating, warming
First cavity material :	Enamelled
Number of interior lights :	1
Approval certificates :	CE, VDE
Length electrical supply cord (cm) :	150
Interior Lights - cavity 1 :	1
Pull-out system :	Accessory
Clock function :	Alarm, Off, On
Included accessories cavity 1 :	1 x combination grid, 1 x universal pan
Broil Element Wattages Cavity 1 (kW) :	2800
Convection Element Wattages Cavity 1 (kW) :	1600
Energy efficiency class (2010/30/EC) :	A+
Energy consumption per cycle conventional (2010/30/EC) :	0.73
Energy consumption per cycle forced air convection (2010/30/EC) :	0.61
Energy efficiency index (2010/30/EC) :	81.3
Connection Rating (W) :	3300
Current (A) :	16
Voltage (V) :	220-240
Frequency (Hz) :	50; 60
Plug type :	Gardy plug w/ earthing
Color / Material Front :	Stainless steel
Energy input :	Electric
Approval certificates :	CE, VDE
Required cutout/niche size for installation (in) :	x x
Dimensions of the packed product (in) :	20.47 x 25.59 x 27.95
Net weight (lbs) :	72.000
Gross weight (lbs) :	77
Length electrical supply cord (cm) :	150
Net weight (kg) :	32.614
Gross weight (kg) :	35.0



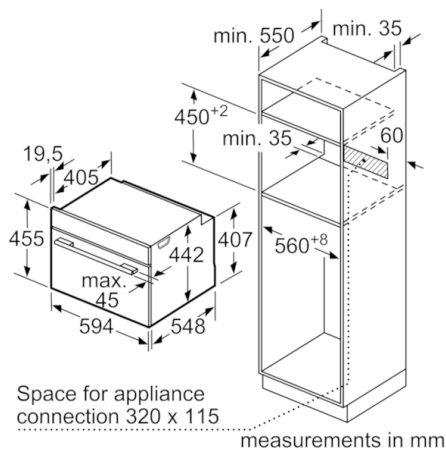
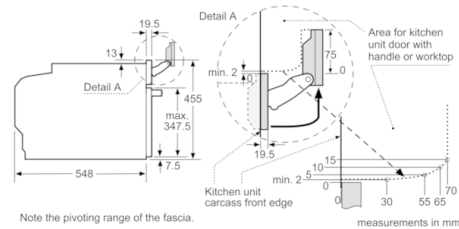
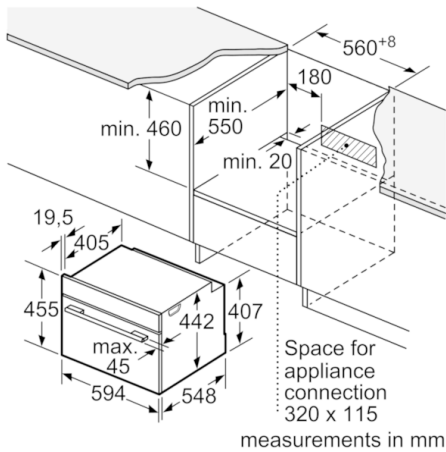
Serie | 8, Built-in compact oven with added steam function, Stainless steel CRG656BS3

- "Please reference the built-in dimensions provided in the installation drawing"

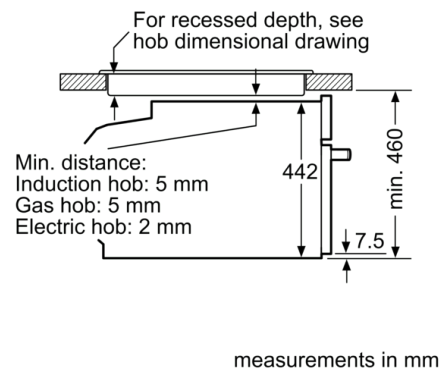
Programmes/ Additional Features:

- Compact oven with 13 heating methods:
4D hot air, Hot Air-Eco, Top/bottom heat, Conventional heat ECO, Hot air grilling, Radiant grill large area, Radiant grill small area, Pizza setting, Bottom heat, Slow cooking, Defrost setting, Plate warming setting, Hold warm

Serie | 8, Built-in compact oven with added steam function, Stainless steel CRG656BS3



Installation with a hob.



If the compact appliance will be installed underneath a hob, the following worktop thicknesses (including substructure if necessary) must be taken into account.

Hob type	min. worktop thickness	
	fitted	flush
Induction hob	42 mm	43 mm
Full surface Induction hob	52 mm	53 mm
Gas hob	32 mm	43 mm
Electric hob	32 mm	35 mm