

Series 8, built-in compact oven with microwave function, 60 x 45 cm, Stainless steel CMG633BS1



- **Microwave function:** for quick warming up or for fast cooking in combination with hotair.
- **TFT Touch Display:** easy-to-use thanks to the Control Ring with clear text and symbols.
- **LED-light:** perfect illumination of foods with minimum energy consumption.
- **SoftMove:** the oven door opens and closes especially gently and quietly.

1 x combination grid, 1 x universal pan

AOVG9MF00S Mech. Child safety lock (high glass), HEZ327000 Pizza stone, HEZ530000 Half tray, HEZ531010 Baking tray, non-stick ceramic coated, HEZ532010 Universal pan, non-stick ceramic coated, HEZ617000 Pizza pan, enamelled, HEZ625071 Grill tray, anthracite, HEZ631070 Baking tray, enamelled, HEZ632070 Multipurpose pan, enamelled, HEZ634080 Baking and roasting grid, microwave, HEZ636000 Glass pan, HEZ660050 Cover Strip, HEZ660060 Strip, HEZ664000 Baking and roasting grid, steam, HEZ915003 Glass roasting dish, 5,4 L, HEZG0AS00 Connecting cable 3m

Type of micro-wave oven:MW-Combi
 Control panel:Electronic
 Dimensions: 455x594x548 mm
 Cavity dimensions: 237.0 x 480 x 392.0 mm
 Length electrical supply cord: 150.0 cm
 Net weight: 35.5 kg
 Gross weight: 37.8 kg
 Maximum microwave power:900 W
 Number of Power Levels: 5
 Turntable: No
 Cavity material: Enamelled steel
 Door opening: Handle
 Clock: Yes
 Included accessories: 1 x combination grid, 1 x universal pan
 Height of the appliance: 455 mm
 Width of the appliance: 594 mm
 Depth: 548 mm
 Maximum microwave power:900 W
 Connection Rating: 3600 W
 Fuse protection:16 A
 Voltage: 220-240 V
 Frequency: 60; 50 Hz
 Plug type: Gardy plug w/ earthing
 Alternative colors available: CMG633BB1, CMG633BW1
 Required cutout/niche size for installation (in):x
 Dimensions of the packed product: 20.47 x 25.59 x 26.77
 Net weight:78.000 lbs
 Gross weight: 83.000 lbs



Series 8, built-in compact oven with microwave function, 60 x 45 cm, Stainless steel CMG633BS1

Programmes/ Additional Features:

- 6 heating methods:
- 4D HotAir, Hot Air-Eco, Hotair grill, Full width grill, Half width grill, Plate warming
- Additional heating methods with microwave: Microwave, combi microwave constant
- Cavity volume: 45L

Design:

Key Features:

Design:

- IC6_CBO_61
- Door hinge: bottom, softClose door, softOpen door
- Supporting systems: Programs
- Electronic clock
- Rapid heating-up
- LED light, Switch for oven illumination at cavity
- Integral cooling fan

Hook-in racks / rails

Accessory:

- 1 x universal pan, 1 x combination grid

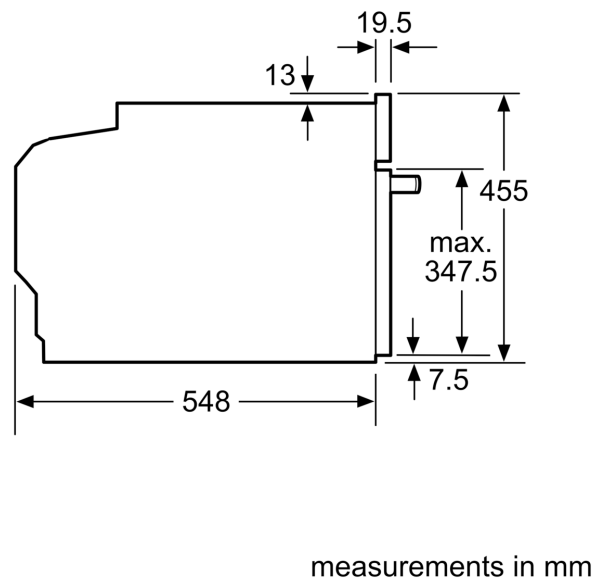
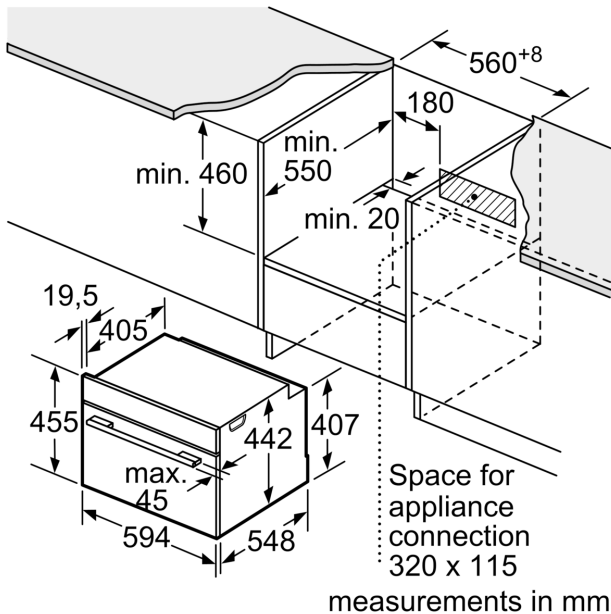
Safety:

- Childproof lock
- Automatic switch off Residual heat indicator Start button Door contact switch

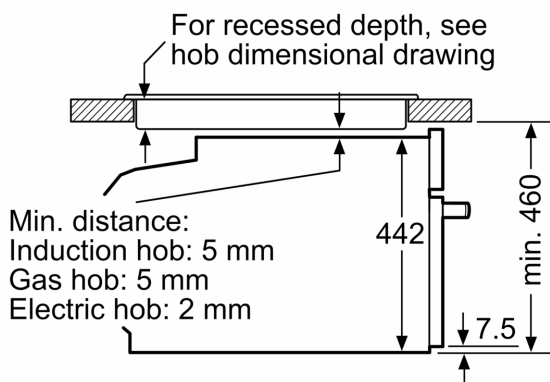
Technical Information:

- 20A single phase connection
- Total connected load: 3.6kW
- 455 mm x 594 mm x 548 mm
- 455 mm x 594 mm x 548 mm
- Please reference the built-in dimensions provided in the installation drawing

**Series 8, built-in compact oven with
microwave function, 60 x 45 cm,
Stainless steel
CMG633BS1**



Installation with a hob.



If the compact appliance will be installed underneath a hob, the following worktop thicknesses (including substructure if necessary) must be taken into account.

Hob type	min. worktop thickness	
	fitted	flush
Induction hob	42 mm	43 mm
Full surface Induction hob	52 mm	53 mm
Gas hob	32 mm	43 mm
Electric hob	32 mm	35 mm

