

**Serie | 8, steamer, 60 x 45 cm,
Stainless steel
CDG634BS1**



The steamer: prepare foods especially gently, retaining the aroma and vitamins.

- **Steam function:** for gentle, healthy food preparation.
- **TFT display control:** easy-to-use thanks to the control ring with full text and symbols.
- **SoftMove:** the oven door opens and closes especially gently and quietly.

Technical data

Color / Material Front :	Stainless steel
Built-in / Free-standing :	Built-in
Required niche size for installation (HxWxD) :	450-455 x 560-568 x 550
Dimensions of the packed product (HxWxD) (mm) :	520 x 650 x 710
Control Panel Material :	Stainless steel
Door Material :	Glass
Net weight (kg) :	24.523
Approval certificates :	CE, VDE
Length electrical supply cord (cm) :	150
Connection Rating (W) :	1750
Current (A) :	10
Voltage (V) :	220-240
Frequency (Hz) :	60; 50
Plug type :	Gardy plug w/ earthing
Approval certificates :	CE, VDE



Included accessories

1 x steam container, punched, size L, 1 x steam container, unpunched, size L, 1 x sponge

Serie | 8, steamer, 60 x 45 cm, Stainless steel CDG634BS1

**The steamer: prepare foods especially
gently, retaining the aroma and vitamins.**

Programmes/ Additional Features:

- Cavity volume: 38L

Design:

Key Features:

Design:

- IC6_CBO_61
- Door hinge: bottom, softClose door, softOpen door
- Supporting systems: Programs
- Electronic clock
- Halogen lighting, Switch for oven illumination at cavity
- Water tanks capacity 1.3 l
- Integrated water reservoir that does not require direct water connection
- 455 mm x 594 mm x 548 mm
- Enamel cavity

Hook-in racks / rails

Accessory:

- 1 x steam container, punched, size L, 1 x steam container, unpunched, size L, 1 x sponge

Safety:

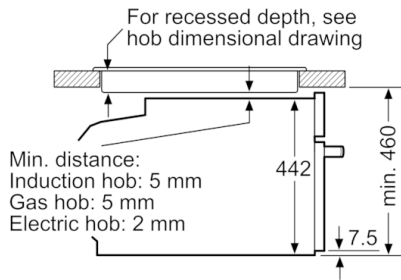
- Childproof lock
 - Automatic switch off
 - Start button
 - door contact switch

Technical Information:

- 20A single phase connection
- Total connected load: 1.75kW
- 455 mm x 594 mm x 548 mm
- Please reference the built-in dimensions provided in the installation drawing

Serie | 8, steamer, 60 x 45 cm, Stainless steel CDG634BS1

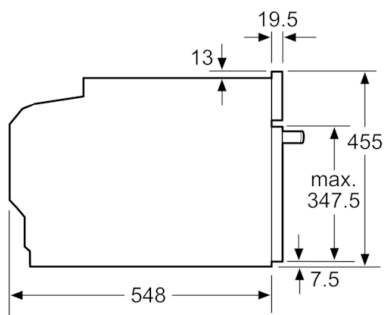
Installation with a hob.



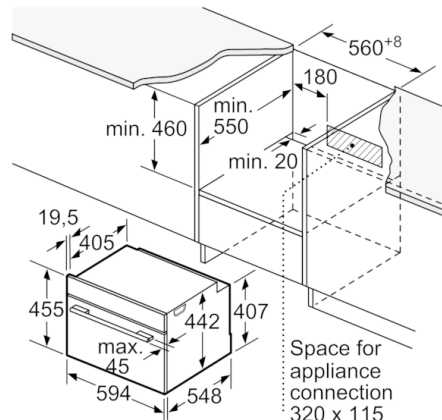
measurements in mm

If the compact appliance will be installed underneath a hob, the following worktop thicknesses (including substructure if necessary) must be taken into account.

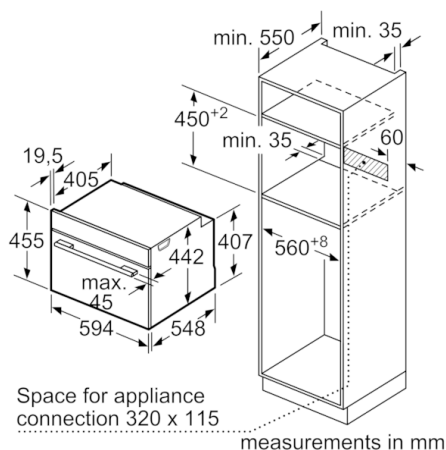
Hob type	min. worktop thickness	
	fitted	flush
Induction hob	42 mm	43 mm
Full surface Induction hob	52 mm	53 mm
Gas hob	32 mm	43 mm
Electric hob	32 mm	35 mm



measurements in mm



measurements in mm



measurements in mm