

**Series 8, compact built-in oven, 60 x 45 cm, Stainless steel  
CBG635BS3**



1 x combination grid, 1 x universal pan

HEZ327000 Pizza stone, HEZ530000 Half tray, HEZ531010 Baking tray, non-stick ceramic coated, HEZ532010 Universal pan, non-stick ceramic coated, HEZ617000 Pizza pan, enamelled, HEZ625071 Grill tray, anthracite, HEZ631070 Baking tray, enamelled, HEZ632070 Multipurpose pan, enamelled, HEZ634000 Baking and roasting grid (standard), HEZ636000 Glass pan, HEZ638108 1 telescopic rail, full ext, 45cm, HEZ660050 Cover Strip, HEZ660060 Strip, HEZ664000 Baking and roasting grid (steam), HEZ915003 Glass roasting dish, 5,4 L, HEZG0AS00 Connecting cable 3m

**The powerful compact oven: so you can enjoy great cooking convenience even in smaller spaces.**

- **4D hotAir:** even heat distribution for perfect results – on any level.
- **AutoPilot 10:** every dish is a perfect success thanks to 10 pre-set automatic programmes.
- **TFT Touch Display:** easy-to-use thanks to the Control Ring with clear text and symbols.
- **EcoClean Direct:** almost no cleaning is necessary thanks to a special coating of the rear wall that automatically absorbs grime.
- **SoftMove:** the oven door opens and closes especially gently and quietly.

Gross weight: ..... 30.9 kg  
 Built-in / Free-standing: ..... Built-in  
 Integrated Cleaning system: ..... Hydrolytic  
 Min. required niche size for installation (HxWxD): 450-455 x 560-568 x 550 mm  
 Dimensions: ..... 455 x 594 x 548 mm  
 Dimensions of the packed product (HxWxD): ..... 520 x 650 x 690 mm  
 Control Panel Material: ..... Stainless steel  
 Door Material: ..... Glass  
 Net weight: ..... 28.6 kg  
 Usable volume of cavity: ..... 47 l  
 Heating Types: . 4D hot air, Defrost, Full width grill, Hot Air-Eco, Half width grill, Conventional heat, Conventional heat ECO, Pizza setting, low temperature cooking, Bottom heat, Hot air grilling, pre-heating, warming  
 Number of interior lights: ..... 1  
 Length electrical supply cord: ..... 150.0 cm  
 Interior Lights - cavity 1: ..... 1  
 Pull-out system: ..... Accessory  
 Included accessories: ..... 1 x combination grid, 1 x universal pan  
 Broil Element Wattages Cavity 1: ..... 2800 W  
 Convection Element Wattages Cavity 1: ..... 1600 W  
 Energy efficiency rating (2010/30/EU): ..... A+  
 Energy consumption per cycle conventional (2010/30/EC): ..... 0.73 kWh/cycle  
 Energy consumption per cycle forced air convection (2010/30/EC): ..... 0.61 kWh/cycle  
 Energy efficiency index (2010/30/EC): ..... 81.3 %  
 Connection Rating: ..... 2990 W  
 Fuse protection: ..... 13 A  
 Voltage: ..... 220-240 V  
 Frequency: ..... 50; 60 Hz  
 Plug type: ..... GARDY plug w/ earthing  
 Energy input: ..... Electric  
 Required cutout/niche size for installation (in): ..... x  
 Dimensions of the packed product: ..... 20.47 x 25.59 x 27.16  
 Net weight: ..... 63.000 lbs  
 Gross weight: ..... 68.000 lbs  
 Length electrical supply cord: ..... 150.0 cm  
 Net weight: ..... 28.6 kg



## **Series 8, compact built-in oven, 60 x 45 cm, Stainless steel CBG635BS3**

**The powerful compact oven: so you can enjoy great cooking convenience even in smaller spaces.**

---

### **Programmes/ Additional Features:**

- 13 heating methods:
- 4D HotAir, Hot Air-Eco, Top and bottom heating, Top and bottom heating Eco, Hotair grill, Full width grill, Half width grill, Pizza setting (intensive hotair), Bottom heat, Slow cooking, Defrost, Plate warming, Keep warm

### **Design:**

- Halogen interior lighting, Switch for oven illumination at cavity
- Electronic clock

### **Key Features:**

- ecoClean® Plus coating
- Rapid heating-up
- Childproof lock
- Automatic switch off Residual heat indicator Start button Door contact switch

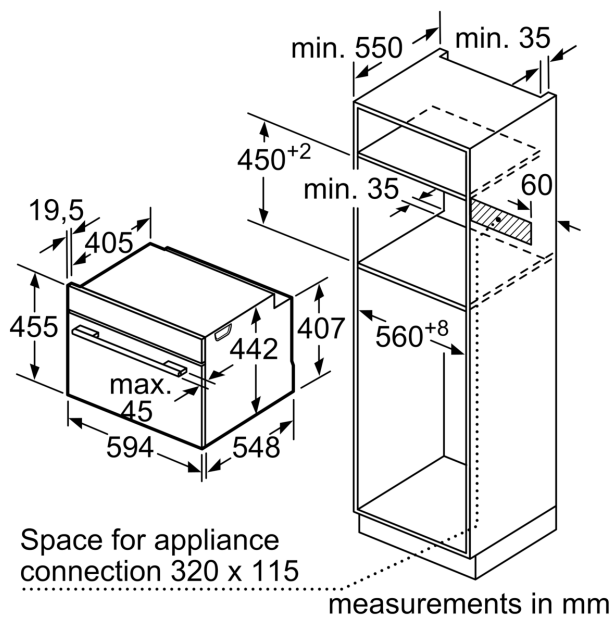
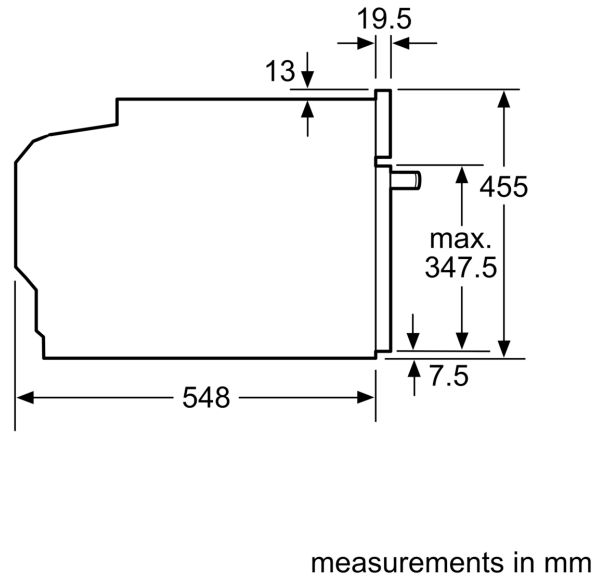
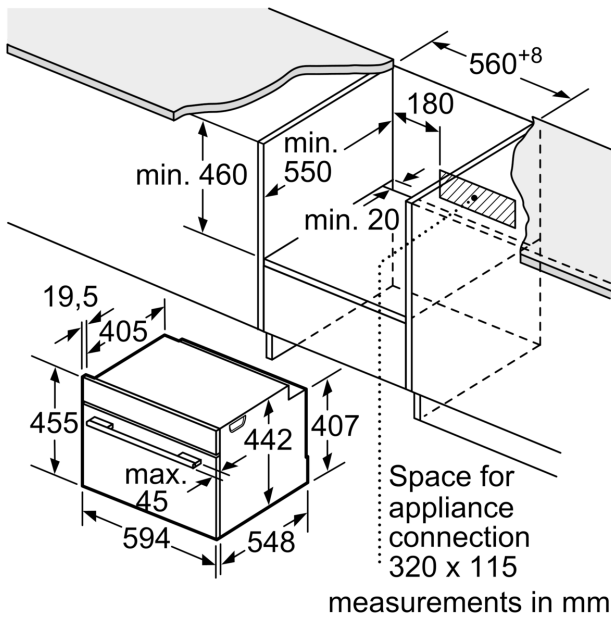
### **Technical Information:**

- Total connected load: 2.99kW
- Temperature range 30 °C - 300 °C
- Cavity volume: 47L
- 1 x combination grid, 1 x universal pan

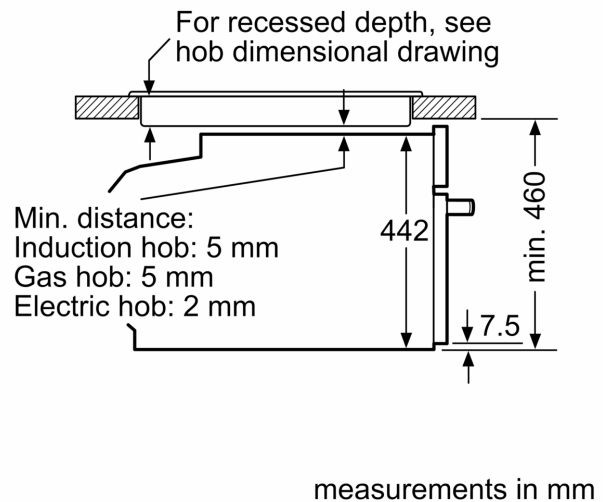
### **Accessory:**

- 455 mm x 594 mm x 548 mm
- Please reference the built-in dimensions provided in the installation drawing

**Series 8, compact built-in oven, 60 x 45 cm, Stainless steel  
CBG635BS3**



Installation with a hob.



If the compact appliance will be installed underneath a hob, the following worktop thicknesses (including substructure if necessary) must be taken into account.

<b>Hob type</b>	<b>min. worktop thickness</b>	
	fitted	flush
Induction hob	42 mm	43 mm
Full surface Induction hob	52 mm	53 mm
Gas hob	32 mm	43 mm
Electric hob	32 mm	35 mm