

**Series 8, Built-in warming drawer, 60 x  
14 cm, White  
BIC630NW1**



**The 14 cm multifunctional warming drawer:  
for pre-heating plates, keeping food warm  
and low temperature cooking.**

---

**Technical data**

Built-in / Free-standing : Built-in

Color / Material Front : White

Maximum number of plates : 12

Maximum number of espresso cups : 64

Dimensions : 140 x 594 x 548 mm

Dimensions of the packed product (HxWxD) : 210 x 660 x 660 mm

Min. required niche size for installation (HxWxD) : 140 x 560 x 550 mm

: 0.810 kW

Time control : No

Fuse protection : 10 A

Voltage : 220-240 V

Frequency : 60; 50 Hz

Plug type : GARDY plug w/ earthing

Color / Material Front : White

Required cutout/niche size for installation (in) : x x

Dimensions of the packed product : 8.26 x 25.98 x 25.98

Net weight : 36.000 lbs

Gross weight : 39.000 lbs

Length electrical supply cord : 150 cm

Min. required niche size for installation (HxWxD) : 140 x 560 x 550 mm

Dimensions : 140 x 594 x 548 mm

Dimensions of the packed product (HxWxD) : 210 x 660 x 660 mm

Net weight : 16.3 kg

Gross weight : 17.5 kg

---



4 242002 813899

**Series 8, Built-in warming drawer, 60 x 14 cm, White  
BIC630NW1**

**The 14 cm multifunctional warming drawer:  
for pre-heating plates, keeping food warm  
and low temperature cooking.**

---

- Heating plate made of toughened glass
- Temperature control in 4 levels: ca. 40 °C - 80 °C (glass surface temperature)

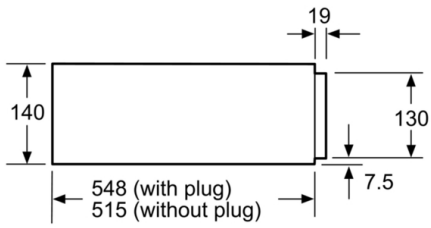
**Design:**

- Loading up to 25 kg
- Max. loading espresso cups: 64 PC or Max. loading plates: 12 PC

**Technical Information:**

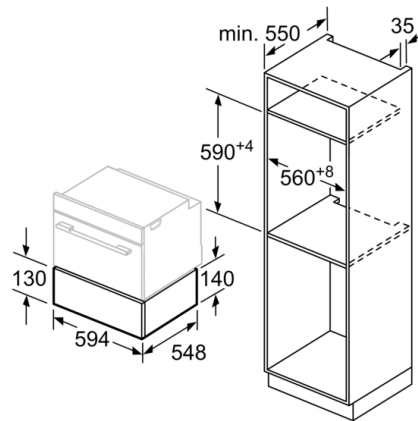
- Length of mains cable: 150 cm
- 140 mm x 594 mm x 548 mm
- Niche dimension (hxwxd): 140 mm x 560 mm - 568 mm x 550 mm

**Series 8, Built-in warming drawer, 60 x 14 cm, White**  
**BIC630NW1**



Compact ovens with an appliance height of 455 mm can be installed above a warming drawer. An intermediate floor is not required.

measurements in mm



measurements in mm