

**Serie | 6, Washing machine, front loader, 8 kg, 1400 rpm
WUQ28420**



A+++

Built-under washing machine with EcoSilence Drive: enjoy supremely quiet operation and excellent durability.

- **EcoSilence Drive™:** the efficient and highly durable washing machine drive.
- **AllergyPlus:** developed for allergy sufferers and people with sensitive skin.
- **VarioDrum:** gentle washing thanks to a unique drum structure.
- **ActiveWater Plus:** For highly efficient use of water even with small loads thanks to automatic load detection.
- Start delay and remaining time indication on large LED display.

Technical Data

Construction type : Free-standing
 Height of removable worktop : 820 mm
 Dimensions of the product : 848 x 598 x 550 mm
 Height for building under : 820.00 mm
 Net weight : 66.093 kg
 Connection rating : 2300 W
 Fuse protection : 10 A
 Voltage : 220-240 V
 Frequency : 50 Hz
 Approval certificates : CE, VDE
 Length of electrical supply cord : 160 cm
 Washing performance class : A
 Door hinge : Left
 Wheels : No
 EAN code : 4242005053261
 Capacity cotton - NEW (2010/30/EC) : 8.0 kg
 Energy consumption annual - NEW (2010/30/EC) : 135.00 kWh/annum
 Power consumption in off-mode - NEW (2010/30/EC) : 0.12 W
 Power consumption in left-on mode - NEW (2010/30/EC) : 0.58 W
 Water consumption annual (l/annum) - NEW (2010/30/EC) : 9680 l/annum
 Spin drying performance class : B
 Maximum spin speed - NEW (2010/30/EC) : 1400 rpm
 Average washing time cotton 40C (partial load) - NEW (2010/30/EC) : 225 min
 Average washing time cotton 60C (full load) - NEW (2010/30/EC) : 225 min
 Average washing time cotton 60C (partial load) - NEW (2010/30/EC) : 225 min
 Noise level washing : 49 dB(A) re 1 pW
 Noise level spinning : 76 dB(A) re 1 pW
 Installation type : Built-under

Optional accessories

WMZ2200 : Floor securing component
 WMZ2381 : Extension for cold water inlet /Aquastop



Serie | 6, Washing machine, front loader, 8 kg, 1400 rpm WUQ28420

Built-under washing machine with EcoSilence Drive: enjoy supremely quiet operation and excellent durability.

- EcoSilence Drive
- VarioPerfect

Performance

- Capacity: 8 kg
- Energy Efficiency Class: A+++
- -30% more economical (135 kWh/year) than the standard value (196 kWh/year)
- Energy consumption :Weighted p.a. E-Consump. EU: 135 kWh kWh per year, based on 220 standard washing cycles
- Energy consumption: standard 60 °C cotton programme 0.78 kWh full load and 0.53 kWh partial load and 40 °C cotton programme 0.4 kWh partial load
- Weighted power consumption off-mode / left-on mode: 0.12 W / 0.58 W
- Water consumption 9680 litres per year, based on 220 standard washing cycles
- B spin class
- Maximum spin speed: 1400 rpm**
- Cottons 60 Eco and Cottons 40 Eco are the standard washing programmes to which the information in the label relates. These programmes are suitable to clean normally soiled cotton laundry and are the most efficient programmes in terms of combined energy and water consumption.
- Programme time:60 °C cotton programme 225 min at full load 225 min at partial load and 40 °C cotton programme 225 min partial load
- Noise level washing : 49dB (A) re 1pW: Noise level spinning:76dB (A) re 1 pW
- Noise level spinning:76dB (A) re 1 pW:

Programmes/functions

- Special programmes: Drum clean, Sportswear, Mixed Load, Stain - Mud, Stain - Grass, Stain - Sweat, Allergy +, Super Quick 15/30, Wool, Delicates/silk

Key features

- VarioPerfect: speed or energy efficiency with perfect wash performance every time
- Touch control buttons: Rinse Plus, Reduced Ironing option, Ready in, Temperature selection, start/pause with reload function, SpeedPerfect, EcoPerfect, Spin speed reduction

Additional features

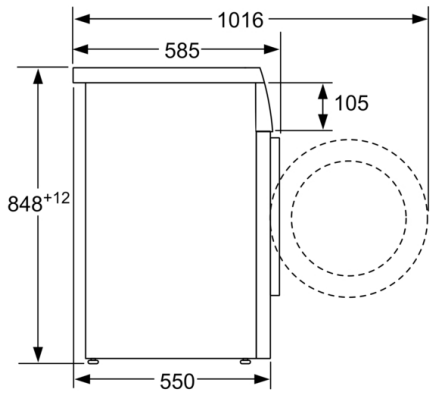
- Reload function: Flexibility to add or remove laundry items of any size even after start of the wash cycle.
- Drum volume: 58 litres
- VarioDrum: gentle and efficient washing
- DrumClean programme without reminder function
- Large white door with 165° opening and 32cm porthole opening
- Metal door catch
- Reload facility
- EcoSilence drive with 10 year warranty
- AntiVibration Design - for more stability and quietness
- Flow-through sensor for optimum water use
- ActiveWater: water management system
- Eltek hose
- 3D AquaSpa wash system with cascade for faster water penetration
- Continuous automatic load adjustment system
- EcoBar: Information about energy consumption
- Fully electronic control dial for wash programmes, temperature and special programmes
- Large LED display for programme status indication, temperature, spin speed, remaining time and 24 hour time delay
- Overdosage indication
- Foam detection system
- Safeguard monitoring system adjusts load distribution and programme settings to protect clothes
- Child lock
- Buzzer to indicate the end of cycle
- Detergent dispensing: easy clean

Technical Information

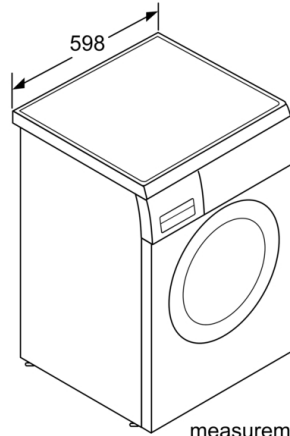
- Can be built-under
- Dimensions (H X W X D): 84.8 x 59.8 x 58.5 cm

** Values are rounded.

**Serie | 6, Washing machine, front loader, 8
kg, 1400 rpm
WUQ28420**



measurements in mm



measurements in mm