

**Series 8, Heat pump tumble dryer, 9 kg
WTX88RH9GB**



Auto Clean



A+++

The AutoClean dryer with Smart Dry is the smartest way to do your laundry, as everything is done fully automatically.

- **SmartDry:** your connected dryer and washer recommend the right drying programme.
- **Auto Dry:** automatically dries to the exact degree of dryness you want.
- **AutoClean technology with no door filter:** skip regular fluff cleaning and maintain top energy efficiency.
- Easy to operate thanks to the intuitive user interface.
- **Home Connect:** home appliances with smart connectivity for an easier everyday life.

Technical Data

Construction type : Free-standing
Removable work top : No
Door hinge : Right
Length of electrical supply cord : 145.0 cm
Height of removable worktop : 0 mm
Dimensions of the product : 842 x 598 x 613 mm
Net weight : 56.0 kg
Fluorinated greenhouse gases : No
Type of refrigerant : R290
Hermetically sealed equipment : Yes
EAN code : 4242005179794
Connection rating : 600 W
Fuse protection : 10 A
Voltage : 220-240 V
Frequency : 50 Hz
Capacity cotton - NEW (2010/30/EC) : 9.0 kg
Energy efficiency rating : A+++
Energy consumption electric dryer, full load - NEW (2010/30/EC) : 1.61 kWh
Standard cotton programme time at full load : 215 min
Energy consumption electric dryer, partial load - NEW (2010/30/EC) : 0.90 kWh
Standard cotton programme time at partial load : 132 min
Weighted annual energy consumption, electric dryer - NEW (2010/30/EC) : 193.0 kWh/annum
Weighted programme time : 168 min
Average condensation efficiency full load (%) : 88 %
Average condensation efficiency partial load (%) : 88 %
Weighted condensation efficiency (%) : 88 %

Optional accessories

WTZ27400 : Stacking kit with pull-out shelf
WTZ27410 : Stacking kit



Series 8, Heat pump tumble dryer, 9 kg WTX88RH9GB

The AutoClean dryer with Smart Dry is the smartest way to do your laundry, as everything is done fully automatically.

Performance

Programmes/functions

- Fully electronic control dial for sensor programmes and timed programmes
- Standard programmes: cotton, easy care
- Special programmes: Allergy +, Cottons, Shirts/blouses, Connected Dry, Down, Delicates, Towels, Mixed Load, Super Quick 40, Sportswear, Duvet, Easy-Care, Woollens, Timed programme warm
- Touch control buttons: end Time Delay, Reduced ironing 60 mins, Reduced ironing 120 mins, Child lock 3 sec., Power button, Remote Start, Low heat, Buzzer, Start / Reload / Pause, fine-tuning for drying level, Drying aim, 24 h end Time Delay

Key features

- Home Connect: Remote Monitoring and Control, Energy Management
- AutoClean
- Heat pump technology with climate friendly cooling agent
- Sensitive drying: large stainless steel drum with textile care and revolution drying system
- AntiVibration design: for greater stability and quietness

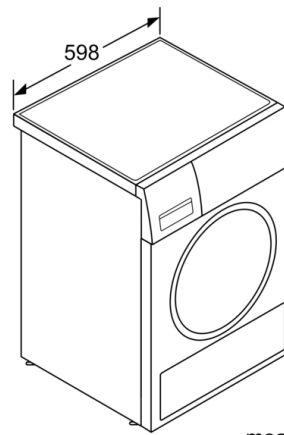
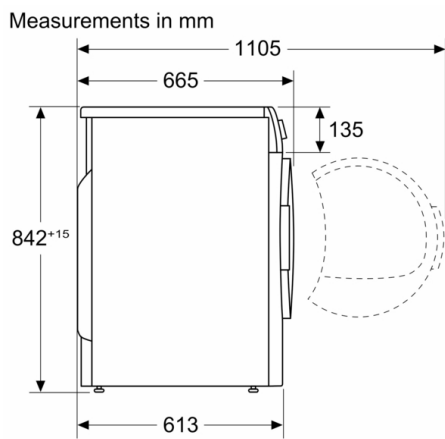
Additional features

- Large LED display for remaining time and 24 hours time delay, programme progress indication and special functions
- Jog dial
- Anti crease cycle 120 min at the end of the programme
- Drum interior light
- Child lock
- Buzzer to indicate the end of cycle
- Door hinge: right-hand
- Container for condensed water

Technical Information

- slide-under installation
- Glass door,, chrome, white
- Dimensions (H X W X D): 84.2 x 59.8 x 66.5 cm
- Appliance depth: 61.3 cm
- Appliance depth incl. door: 66.5 cm
- Appliance depth with open door: 110.5 cm

**Series 8, Heat pump tumble dryer, 9 kg
WTX88RH9GB**



measurements in mm