

**Series 6, Heat pump tumble dryer, 9 kg
WTWH7660GB**



A++

Our Home Connect heatpump dryer with SelfCleaning Condenser. Great performance guaranteed with constantly low energy consumption of A++

- **SelfCleaning Condenser:** keep the condenser free of fluff to maintain A++ energy efficiency.
- **AutoDry:** automatically dries to the exact level of dryness you require.
- **AntiVibration Design:** extremely stable and very quiet thanks to special vibration protection.
- **Home Connect:** home appliances with smart connectivity for an easier everyday life.
- **Fast drying:** dries a full load considerably fast.

Technical Data

Construction type : Free-standing
 Removable work top : No
 Door hinge : Right
 Length of electrical supply cord : 145.0 cm
 Height of removable worktop : 0 mm
 Dimensions of the product : 842 x 598 x 613 mm
 Net weight : 54.5 kg
 Fluorinated greenhouse gases : No
 Type of refrigerant : R290
 Hermetically sealed equipment : Yes
 The quantity expressed in CO2 equivalent : 0.000 t
 EAN code : 4242005081127
 Connection rating : 800 W
 Fuse protection : 10 A
 Voltage : 220-240 V
 Frequency : 50 Hz
 Capacity cotton - NEW (2010/30/EC) : 9.0 kg
 Energy efficiency rating : A++
 Energy consumption electric dryer, full load - NEW (2010/30/EC) : 1.97 kWh
 Standard cotton programme time at full load : 162 min
 Energy consumption electric dryer, partial load - NEW (2010/30/EC) : 1.16 kWh
 Standard cotton programme time at partial load : 104 min
 Weighted annual energy consumption, electric dryer - NEW (2010/30/EC) : 243.0 kWh/annum
 Weighted programme time : 129 min
 Average condensation efficiency full load (%) : 91 %
 Average condensation efficiency partial load (%) : 91 %
 Weighted condensation efficiency (%) : 91 %



Optional accessories

WTZ27400 : Stacking kit with pull-out shelf
 WTZ27410 : Stacking kit



Series 6, Heat pump tumble dryer, 9 kg WTWH7660GB

Our Home Connect heatpump dryer with SelfCleaning Condenser. Great performance guaranteed with constantly low energy consumption of A++

Performance

- Energy Efficiency Class¹: A++
- Energy²: 243 kWh
- Capacity: 1 - 9 kg
- Programme time³: 162 min
- Noise level: 64 dB (A) re 1 pW
- Condensation efficiency class⁴: A
- Condensation efficiency⁵: 91 %

Programmes/functions

- Touch control buttons: Buzzer, Reduced ironing, start/pause, Drying aim, Child lock 3 sec., Reduced ironing 60 mins, Reduced ironing 120 mins, My favorite, Remote Start, 24 h end Time Delay, Reduced ironing, Reduced ironing 120 mins, Reduced ironing 60 mins, Child lock 3 sec., Drying aim, My favorite, end Time Delay, Remote Start, Buzzer, start/pause
- Fully electronic control dial for sensor programmes and timed programmes
- Special programmes: Woollens, Mixed Load, Towels, Duvet, Timed programme warm, Timed programme cold, Cottons, Easy-Care, Allergy +, Sportswear, Down, Super Quick 40, Shirts/blouses, Delicates

Key features

- Home Connect: Remote Monitoring and Control, Energy Management Photovoltaic
- ActiveAir Technology, Sensor drying
- Heat Pump with self cleaning condenser
- Heat pump technology with climate friendly cooling agent
- Sensitive drying: large stainless steel drum with textile care and revolution drying system
- AntiVibration design: for greater stability and quietness

Additional features

- Large touch-LED-display for Buzzer, Reduced ironing, end Time Delay, start/pause, Drying aim, Child lock 3 sec.,

Reduced ironing 60 mins, Reduced ironing 120 mins, My favorite

- Inclined ergonomic control panel, slide-under at height of 85 cm
- Jog dial
- Anti crease cycle 120 min at the end of the programme
- Drum interior light
- Full container tank indicator
- Door hinge: right-hand
- Container for condensed water
- Child lock
- Buzzer to indicate the end of cycle

Technical Information

- Dimensions (H X W X D): 84.2 x 59.8 x 66.5 cm
- slide-under installation
- Glass door,, silver-white

¹ At a range of energy efficiency classes from A+++ to D

² Energy consumption kWh per year, based on 160 drying cycles of the standard cotton programme at full and partial load, and the consumption of the low power modes

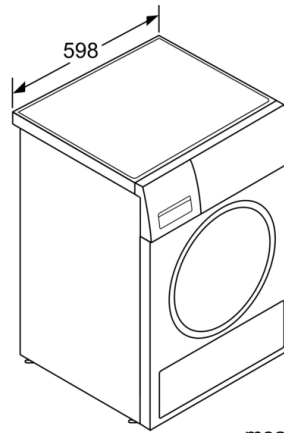
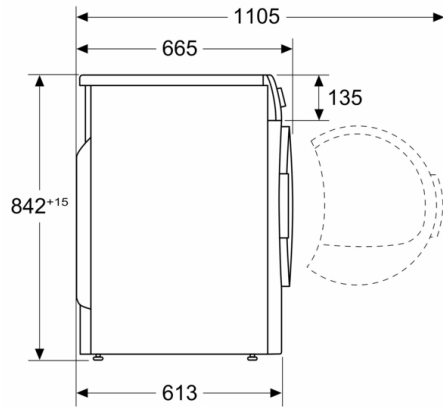
³ Programme time of the standard cotton programme at full load

⁴ On a condensation efficiency class scale from A to G

⁵ Weighted condensation efficiency for the standard cotton programme at full and partial load

**Series 6, Heat pump tumble dryer, 9 kg
WTWH7660GB**

Measurements in mm



measurements in mm