

**Series 4, Heat pump tumble dryer, 8 kg, White
WTH85222GB**



**The dryer for especially efficient drying:
energy efficiency class A++.**

- **Easy Clean with A++:** efficient drying. Easy-to-clean condenser filter.
- **Auto Dry:** automatically senses when your preferred level is reached.
- **Anti-Vibration Design:** extremely stable vibration protection ensures a smooth operation.
- **Eco friendly gas:** dry your clothes with the most environmentally friendly cooling agent.
- **LED Display with touch button:** delay the start or end time of your drying cycle by up to 24 hours.

Technical Data

Built-in / Free-standing:	Freestanding
Removable top:	No
Door hinge:	Right
Length electrical supply cord:	179.5 cm
Dimensions:	842x598x613 mm
Net weight:	46.6 kg
Fluorinated greenhouse gases:	No
Hermetically sealed equipment:	Yes
The quantity expressed in CO2 equivalent:	0.000 t
EAN code:	4242005242740
Connection rating:	625 W
Fuse protection:	10 A
Voltage:	220-240 V
Frequency:	50 Hz
Maximum capacity in kg:	8.0 kg
Energy Efficiency Class ¹ :	E
Weighted energy consumption per cycle (EU 2017/1369):	1.32 kWh/cycle
Weighted energy consumption per 100 cycles (EU 2017/1369): ..	132 kWh/100 cycles
Condensation Efficiency (EU 2017/1369):	81 %
Programme duration half capacity (EU 2017/1369):	2:10
Programme duration rated capacity (EU 2017/1369):	3:25

Optional accessories

WTZ1110	Condenser drainage kit
WTZ11400	Stacking kit with pull-out shelf
WTZ20410	Stacking kit
WTZPW20D	Platform with pull-out, dryer, cubic



¹ Scale of Energy Efficiency Classes from A to G

Series 4, Heat pump tumble dryer, 8 kg, White WTH85222GB

The dryer for especially efficient drying: energy efficiency class A++.

Performance

Programmes/functions

- Special programmes: Woollens, Mixed Load, Towels, Timed programme warm, Timed programme cold, Sportswear, Down, Super Quick 40, Shirts/blouses

Key features

- Touch control buttons: Low heat, Reduced ironing, Drying length, fine-tuning for drying level, 24 h, end Time Delay

Additional features

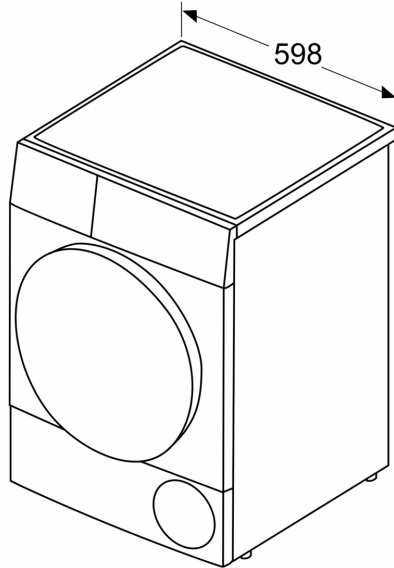
- EasyClean filter
- Fully electronic control dial for sensor programmes and timed programmes
- Fully electronic control dial for sensor drying, including timed and special programmes
- LED Display for remaining time and 24 hours time delay, programme status indication, special functions
- Sensitive drying: large stainless steel drum with textile care and revolution drying system
- AntiVibration design: for greater stability and quietness
- No
- Container for condensed water
- Full container tank indicator
- Warning for fluff filter and condensed water container
- no
- Child lock
- Anti-crease cycle at the end of the programme
- Buzzer to indicate the end of cycle
- Glass door,, silver-white
- pull-open latch
- Door hinge: right-hand
- Metal door catch

Technical Information

- slide-under installation
- Dimensions (H x W): 84.2 cm x 59.8 cm
- Appliance depth: 61.3 cm
- Appliance depth incl. door: 66.5 cm
- Appliance depth with open door: 110.5 cm
- Heat pump technology with climate friendly cooling agent

**Series 4, Heat pump tumble dryer, 8
kg, White
WTH85222GB**

Measurements in mm



Measurements in mm

