

Series 4, Condenser tumble dryer, 8 kg WTE843S1GB



- **Auto Dry:** automatically senses when your preferred level is reached.
- **Anti Vibration Design:** extremely stable and extraordinarily quiet thanks to special vibration protection.
- **Fast drying:** dries a full load considerably fast.
- **Sensitive Drying System:** for gentle drying without creases.
- **Sportswear:** ideal for gentle drying of textiles such as microfibre, synthetics or functional fibres.

Technical Data

Built-in / Free-standing:	Freestanding
Removable top:	Yes
Door hinge:	Right
Length electrical supply cord:	145.0 cm
Height of removable worktop:	23 mm
Dimensions:	842 x 598 x 639 mm
Net weight:	45.0 kg
EAN code:	4242002652610
Connection rating:	2600 W
Fuse protection:	13 A
Voltage:	220-240 V
Frequency:	50 Hz
Loading capacity:	8.0 kg



Optional accessories

WMZ20500	Platform with pull-out
WTZ10290	Cover plate
WTZ1110	Condenser drainage kit
WTZ11300	Stacking kit with pull-out shelf
WTZ11310	Stacking kit

Series 4, Condenser tumble dryer, 8 kg WTE843S1GB

Performance

- B Energy Class
- Capacity: 8 kg
- Consumption of 8 kg cotton cupboard dry: 1400 rpm - 3.74 kWh - 105 min 1000 rpm - 4.49 kWh - 122 min
- Noise level: drying 61dB (re 1pW)

Programmes/functions

- Fully electronic control dial for sensor drying, including timed and special programmes
- Special programmes: Woollens, Mixed Load, Sportswear, Timed Programme 20 minutes warm, Super Quick 40
- Touch control buttons: Start/Stop, Low heat, Time Delay, Reduced Ironing

Key features

- Sensitive drying: large stainless steel drum with textile care and revolution drying system

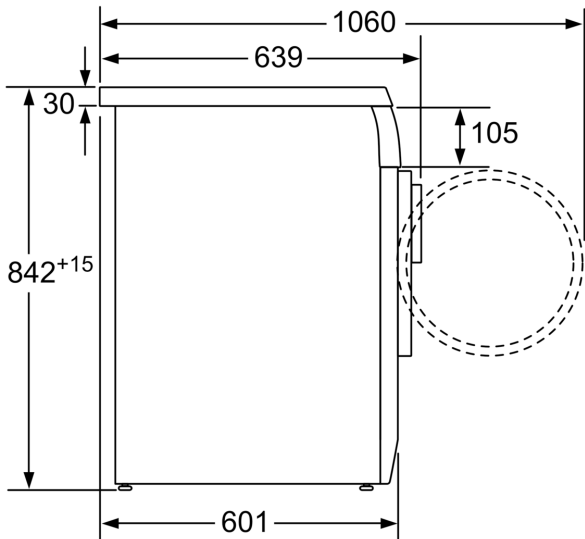
Additional features

- LC Display for time remaining and 24 hours time delay
- LED programme progress indicator and warning for fluff filter
- Anti crease cycle 120 min at the end of the programme
- Buzzer to indicate the end of cycle
- Metal door catch

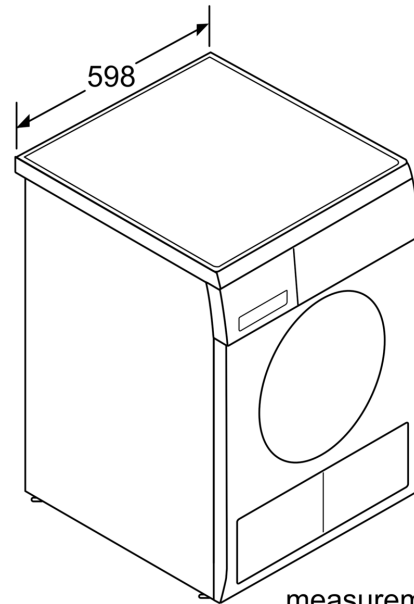
Technical Information

- Can be built-under
- Round solid door,, Silver

**Series 4, Condenser tumble dryer, 8
kg
WTE843S1GB**



measurements in mm



measurements in mm