

**Serie | 4, Vented tumble dryer, 7 kg
WTA79200GB**



Our vented dryer with AutoDry is gentle on your textiles. Personalized drying settings give you perfect laundry care.

- **AutoDry:** gently dries laundry to exactly the degree of dryness you want.
- **Fast drying:** dries a full load considerably fast.
- **Sensitive Drying system:** soft, even drying thanks to the unique drum structure.
- **SensitiveDrying System:** the unique drum structure protects and delivers a drying performance without creases.
- **ComfortDisplay:** easy orientation and usability thanks to a big display.

Technical Data

Construction type :	Free-standing
Removable work top :	No
Door hinge :	Right
Length of electrical supply cord (cm) :	145.0
Height of removable worktop (mm) :	842
Dimensions of the product (mm) :	842 x 598 x 601
Net weight (kg) :	33.083
EAN code :	4242002980447
Connection rating (W) :	2200
Current (A) :	10
Voltage (V) :	220-240
Frequency (Hz) :	50
Approval certificates :	CE, VDE
Capacity cotton (kg) - NEW (2010/30/EC) :	7.0
Energy efficiency rating :	C
Energy consumption electric dryer, full load - NEW (2010/30/EC) :	4.10
Standard cotton programme time at full load (min) :	130
Energy consumption electric dryer, partial load - NEW (2010/30/EC) (kWh) :	2.40
Standard cotton programme time at partial load (min) :	80
Weighted annual energy consumption, electric dryer - NEW (2010/30/EC) (kWh) :	504.0
Weighted programme time (min) :	101

Optional accessories

WTZ1130 :



Serie | 4, Vented tumble dryer, 7 kg WTA79200GB

Our vented dryer with AutoDry is gentle on your textiles. Personalized drying settings give you perfect laundry care.

Performance

- Energy Efficiency Class: C at a range of energy efficiency classes from A+++ to D
- Dryer type: Vented Dryer
- Capacity: 7 kg
- Energy consumption 504.0 kWh per year, based on 160 drying cycles of the standard cotton programme at full and partial load, and the consumption of the low-power modes. Actual energy consumption per cycle will depend on how the appliance is used
- Energy consumption of the standard cotton programme at full load 4.1 kWh and energy consumption of the standard cotton programme at half load 2.4 kWh
- The programme Cotton cupboard dry used at full and partial load is the standard drying programme to which the information in the label and the fiche relates, this programme is suitable for drying normal wet cotton laundry and is the most efficient programme in terms of energy consumption for cotton.
- Programme time of the standard cotton programme at full load 130 min and programme time of the standard cotton programme at partial load 80 min.
- Weighted programme time of the standard cotton programme at full and partial load: 101 min.
- Power consumption in off-mode 0.1 W and in left-on mode 0.5 W
- Noise level: 65 dB (A) re 1 pW

Programmes/functions

- Fully electronic control dial for sensor programmes and timed programmes
- Special programmes: Woollens, Mixed Load, Towels, Timed programme warm, Timed programme cold, Sportswear, Super Quick 40, Shirts/blouses, Delicates
- Touch control buttons: Low heat, Reduced ironing, Drying length, start/pause, fine-tuning for drying level, 24 h end Time Delay, Reduced ironing, fine-tuning for drying level, Low heat, Drying length, end Time Delay, start/pause

Key features

- Sensitive drying: large galvanised drum and revolution drying system
- AntiVibration design: for greater stability and quietness

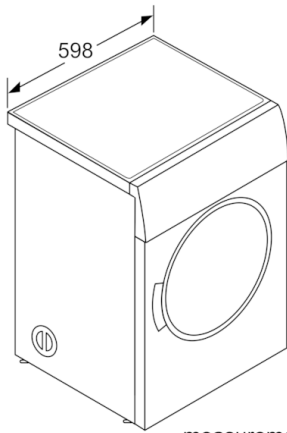
Additional features

- LED Display for remaining time and 24 hours time delay, programme status indication, special functions
- Anti crease cycle 120 minutes at the end of the programme
- Buzzer to indicate the end of cycle
- Child lock
- Vent hose

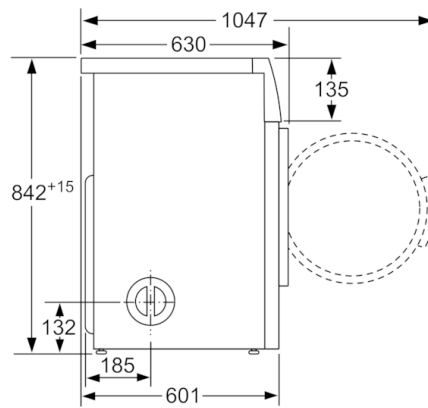
Technical Information

- Dimensions (H X W X D): 84.2 x 59.8 x 63 cm
- slide-under installation
- Plastic door,, white
- Door hinge: right-hand

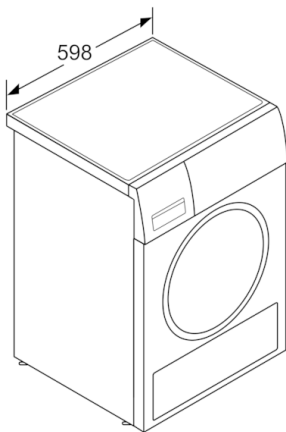
**Serie | 4, Vented tumble dryer, 7 kg
WTA79200GB**



measurements in mm



measurements in mm



measurements in mm