

**Serie | 8, Built-in washing machine, 8 kg, 1400 rpm  
WIW28500GB**



**A+++**

**Our especially quiet washing machine with EcoSilence Drive and Silence program: enjoy supremely quiet operation and excellent durability.**

- **EcoSilence Drive™**: extremely energy-efficient and quiet in operation with a 10-year warranty.
- **AllergyPlus**: specially developed for the needs of allergy sufferers and sensitive skin.
- **VarioDrum**: gentle washing thanks to a unique drum structure.
- **ActiveWater™**: reduces water consumption and costs thanks to the sensor-controlled, stepless automatic load adjustment system.
- Easy-to-use LED display with touch control and many additional functions like start delay and remaining time.

**Technical Data**

Construction type :	Built-in
Height of removable worktop (mm) :	820
Dimensions of the product (mm) :	818 x 596 x 544
Height for building under :	820.00
Net weight (kg) :	72.674
Connection rating (W) :	2300
Current (A) :	10
Voltage (V) :	220-240
Frequency (Hz) :	50
Approval certificates :	CE, VDE
Length of electrical supply cord (cm) :	210
Washing performance class :	A
Door hinge :	Left
Wheels :	No
EAN code :	4242002958637
Capacity cotton (kg) - NEW (2010/30/EC) :	8.0
Energy consumption annual (kWh/annum) - NEW (2010/30/EC) :	137.00
Power consumption in off-mode (W) - NEW (2010/30/EC) :	0.12
Power consumption in left-on mode (W) - NEW (2010/30/EC) :	0.50
Water consumption annual (l/annum) - NEW (2010/30/EC) :	9900
Spin drying performance class :	B
Maximum spin speed (rpm) - NEW (2010/30/EC) :	1355
Average washing time cotton 40C (partial load) - NEW (2010/30/EC) :	255
Average washing time cotton 60C (full load) (min) - NEW (2010/30/EC) :	270
Average washing time cotton 60C (partial load) - NEW (2010/30/EC) :	270
Noise level washing (dB(A) re 1 pW) :	41
Noise level spinning (dB(A) re 1 pW) :	67
Installation type :	Full-integrated



**Optional accessories**

- WMZ20441 : Height-adjustable feet
- WMZ2200 : Floor securing component
- WMZ2381 : Extension for cold water inlet /Aquastop



## Serie | 8, Built-in washing machine, 8 kg, 1400 rpm WIW28500GB

**Our especially quiet washing machine with EcoSilence Drive and Silence program: enjoy supremely quiet operation and excellent durability.**

### Performance

- Energy Efficiency Class: A+++
- Capacity: 8 kg
- Maximum spin speed: 1400 rpm\*\*
- B spin class
- Energy consumption: standard 60 °C cotton programme 0.78 kWh full load and 0.58 kWh partial load and 40 °C cotton programme 0.38 kWh partial load
- Energy consumption :Weighted p.a. E-Consump. EU: 137 kWh kWh per year, based on 220 standard washing cycles
- Water consumption 9900 litres per year, based on 220 standard washing cycles
- Programme time:60 °C cotton programme 270 min at full load 270 min at partial load and 40 °C cotton programme 255 min partial load
- Noise level washing : 41dB (A) re 1pW: Noise level spinning:67dB (A) re 1 pW
- Noise level spinning:67dB (A) re 1 pW:
- Cottons 60 Eco and Cottons 40 Eco are the standard washing programmes to which the information in the label relates. These programmes are suitable to clean normally soiled cotton laundry and are the most efficient programmes in terms of combined energy and water consumption.

### Programmes/functions

- Special programmes: Down Wear, Dark Wash, Shirts, Sportswear, Mixed Load, Allergy +, Super Quick 15/30, Quiet Wash, Drum clean with reminder, rinse/spin/drain, Wool/ Handwash, Standard cold - 40°C
- Touch control buttons: Reduced Ironing option, Ready in, Temperature selection, start/pause with reload function, SpeedPerfect, EcoPerfect, Aqua Plus, Spin speed reduction

### Key features

- VarioPerfect: speed or energy efficiency with perfect wash performance every time
- EcoSilence drive with 10 year warranty
- Drum clean with reminder function
- 3D AquaSpa wash system with cascade for faster water penetration
- Large display for programme progress indication, temperature, spin speed, remaining time, 24 hours end time delay and load recommendation

### Additional features

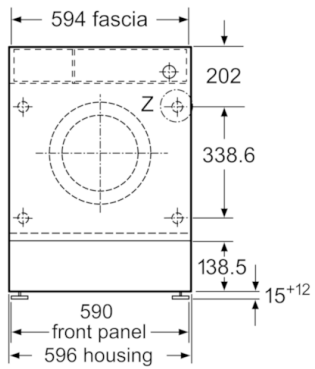
- ActiveWater: water management system
- TimeLight: program status and remaining time clearly displayed on floor in high resolution.
- AquaStop: Bosch home appliance with lifetime warranty against water damage\*
- Foam detection system
- Safeguard monitoring system adjusts load distribution and programme settings to protect clothes
- Divider for Liquid Detergent
- Buzzer to indicate the end of cycle
- Metal door catch
- Large white door with 130° opening and 30 cm porthole
- Furniture door is reversible

### Technical Information

- Continuous automatic load adjustment system
- Dimensions (H X W X D): 81.8 x 59.6 x 57.4 cm
- adjustable base height: 15 cm
- adjustable base depth: 6.5 cm
- Height adjustment with cardanDrive

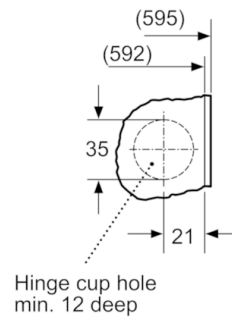
\* Please find warranty terms under <https://www.bosch-home.co.uk/customer-service/care-protection-and-parts/additional-warranties>  
\*\* Values are rounded.

**Serie | 8, Built-in washing machine, 8 kg,  
1400 rpm  
WIW28500GB**

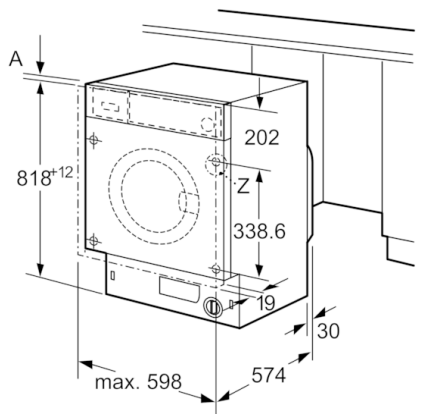


measurements in mm

Z detail



measurements in mm



measurements in mm