

**Series 6, Washing machine, front loader, 9 kg, 1400 rpm
WGG2449RGB**



Perfect results with minimum energy and water consumption, thanks to energy Class A and ActiveWater Plus.

- **Speed Perfect:** get the perfect clean in up to 65% less time.
- **ActiveWater Plus:** For highly efficient use of water even with smaller loads thanks to automatic load detection.
- **EcoSilence Drive™:** quiet and energy-efficient drive, with a 10-year warranty.
- **Best energy class A:** save energy with the most efficient class A.
- **Hygiene Plus:** hygienic washing, effectively killing germs even at 40°.

Energy Efficiency Class: A
Weighted energy consumption in kWh per 100 washing cycles of eco 40-60 programme: 46 kWh
Maximum capacity in kg: 9.0 kg
The water consumption of the eco programme in liters per cycle:	48 l
Duration of eco 40-60 programme in hours and mins at rated capacity: 3:48 h
Spin-drying efficiency class of eco 40-60 programme: B
Airborne acoustical noise emission class: A
Airborne acoustical noise emissions : 71 dB(A) re 1 pW
Built-in / Free-standing: Freestanding
Dimensions of the product: 848 x 598 x 590 mm
Net weight: 73.5 kg
Connection rating: 2300 W
Fuse protection: 10 A
Voltage: 220-240 V
Frequency: 50-60 Hz
Length electrical supply cord: 210.0 cm
Door hinge: Left
Wheels: No
EAN code: 4242005338436
Installation typology: Free-standing

- WMZ2200 Floor securing component
 WMZ2381 Extension for cold water inlet /Aquastop
 WMZPW20W Platform with pull-out, washer, cubic



Series 6, Washing machine, front loader, 9 kg, 1400 rpm WGG2449RGB

Perfect results with minimum energy and water consumption, thanks to energy Class A and ActiveWater Plus.

Performance

- Energy Efficiency Class¹: A
- Energy² / Water³: 46 kWh / 48 litres
- Load capacity: 1 - 9 kg
- Programme duration⁴: 3:48 h:min
- Spin drying efficiency class: B
- Spin speed^{**}: 400 - 1400 rpm
- Noise level: 71 dB (A) re 1 pW
- Noise efficiency class: A

Programmes/functions

- Touch control buttons: Reduced Ironing option, Ready in, stain selection, start/pause with reload function, Temperature selection, SpeedPerfect, Prewash, Spin speed reduction, Aqua Plus/Rinse Hold
- Standard programmes: cottons, easy care, delicates, wool hand wash
- Special programmes: Drum clean with reminder, jeans/dark laundry, Drain / Spin, Mixed Load, Sportswear, Single Rinse, Duvet, Super Quick 15/30, Hygiene
- Safeguard monitoring system adjusts load distribution and programme settings to protect clothes

Key features

- SpeedPerfect: perfectly clean in up to 65% less time. ***
- AntiStain - 4 stain removal options at the touch of a button
- Reload function: Flexibility to add or remove laundry items of any size even after start of the wash cycle.
- AntiVibration Design - for more stability and quietness
- EcoSilence drive with 10 year warranty

Additional features

- Large LED-Display for programme status indication, max. spin speed, remaining time and 24 h end time delay and load recommendation
- Hygiene Plus: clean laundry and effective removal of germs
- VarioDrum: gentle and efficient washing
- Drum volume: 65 litres
- Drum clean with reminder function
- Drum interior light
- ActiveWater Plus: for highly efficient use of water even with smaller loads thanks to automatic load detection.
- AntiStain
- Aqua Protection
- soft dial
- Foam detection system
- Child lock
- Acoustic signals: Buzzer
- Detergent dispensing: easy clean
- Divider for Liquid Detergent

Technical Information

- Slide-under installation
- Large silver-black grey door with 165° opening
- Dimensions (H x W): 84.8 cm x 59.8 cm
- Appliance depth: 59.0 cm
- Appliance depth incl. door: 63.6 cm
- Appliance depth with open door: 107.3 cm

¹ Scale of Energy Efficiency Classes from A to G

² Energy consumption in kWh per 100 cycles (in programme Eco 40-60)

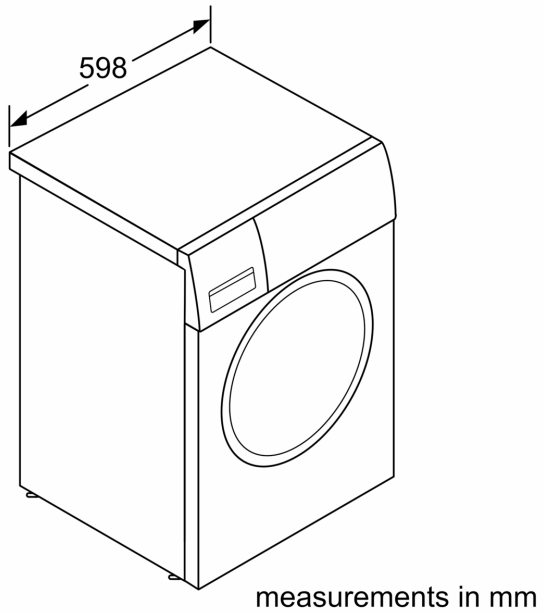
³ Weighted water consumption in litres per cycle (in programme Eco 40-60)

⁴ Duration of Eco 40-60 programme

** Values are rounded.

*** Comparison between the program duration of Easy-care 40°C and the program duration of Easy-care 40°C + activated Speed option

**Series 6, Washing machine, front loader, 9 kg, 1400 rpm
WGG2449RGB**



Measurements in mm

