

**Series 8, Washing machine, front loader, 9 kg, 1600 rpm
WAX32LH9GB**



The Serie|8 ActiveOxygen washing machine with Home Connect removes odors without washing in the smartest way.

- **AntiStain:** reliably removes four of the most common stains.
- **4D Wash System:** highly efficient water and detergent penetration for spotless results.
- **Home Connect:** home appliances with smart connectivity for an easier everyday life.
- **Refresh ActiveOxygen:** refreshes clothes without washing in 45 minutes.
- **EcoSilence Drive™:** quiet and energy-efficient drive, with a 10-year warranty.

Technical Data

Energy Efficiency Class: C

Weighted energy consumption in kWh per 100 washing cycles of eco 40-60 programme: 65 kWh

Maximum capacity in kg: 9.0 kg

The water consumption of the eco programme in liters per cycle: 48 l

Duration of eco 40-60 programme in hours and mins at rated capacity: 3:47 h

Spin-drying efficiency class of eco 40-60 programme: A

Airborne acoustical noise emission class: A

Airborne acoustical noise emissions : 70 dB(A) re 1 pW

Construction type: Free-standing

Height of removable worktop: -2 mm

Dimensions of the product: 848 x 598 x 590 mm

Net weight: 83.1 kg

Connection rating: 2300 W

Fuse protection: 10 A

Voltage: 220-240 V

Frequency: 50 Hz

Approval certificates: CE, E17D UKCA marking, VDE

Length of electrical supply cord: 210 cm

Door hinge: Left

Wheels: No

Power consumption standby/network: Please check the user manual for how to switch off the WiFi module.: 1.5 W

Time auto-standby/network: 5.0 min

EAN code: 4242005184279

Installation type: Free-standing



Optional accessories

WMZ2200 : Floor securing component

WMZ2381 : Extension for cold water inlet /Aquastop



Series 8, Washing machine, front loader, 9 kg, 1600 rpm WAX32LH9GB

The Serie|8 ActiveOxygen washing machine with Home Connect removes odors without washing in the smartest way.

Performance

- Energy Efficiency Class¹: C
- Energy² / Water³: 65 kWh / 48 litres
- Load capacity: 1 - 9 kg
- Programme duration⁴: 3:47 h:min
- Spin drying efficiency class: A
- Spin speed^{**}: 400 - 1600 rpm
- Noise level: 70 dB (A) re 1 pW
- Noise efficiency class: A
- Drum volume: 70 litres

Programmes/functions

- Touch control buttons: On/off, Ready in, stain selection, Intensive Plus, Rinse Plus, Remote Start, start/pause with reload function, Temperature selection, SpeedPerfect, Prewash, Spin speed reduction/Rinse Hold
- Standard programmes: cottons, easy care, delicates, wool hand wash
- Special programmes: Drum clean with reminder, Shirts, HygienicSteam Odor Removal, Drain / Spin, Mixed Load, Sportswear, Single Rinse, Super Quick 15/30
- Safeguard monitoring system adjusts load distribution and programme settings to protect clothes

Key features

- 4D Wash System: highly efficient water and detergent fabric penetration for spotless results.
- Home Connect: Remote Monitoring and Control, Energy Management
- Reload function: Flexibility in adding laundry items into the drum, even after the wash cycle has started.
- EcoSilence drive with 10 year warranty
- AntiVibration Design - for more stability and quietness
- EcoBar Plus function: five possible levels of energy and water consumption

Additional features

- Large LED-Display for programme status indication, temperature selection, max. spin speed, remaining time

- and 24 h end time delay, ActiveOxygen activation and consumption indication
- Control dial with integrated On / Off mode
- VarioDrum: gentle and efficient washing
- Drum interior light
- Drum clean with reminder function
- Sound insulation by additional noise reduction material
- Aqua Protection
- Foam detection system
- Overdosage indication
- Detergent dispensing: From front
- Divider for Liquid Detergent
- Child lock
- Acoustic signals: Buzzer

Technical Information

- Slide-under installation
- Large chrome, white door with 171° opening
- Dimensions (H x W): 84.8 cm x 59.8 cm
- Appliance depth: 59.0 cm
- Appliance depth incl. door: 63.2 cm
- Appliance depth with open door: 106.3 cm

¹ Scale of Energy Efficiency Classes from A to G

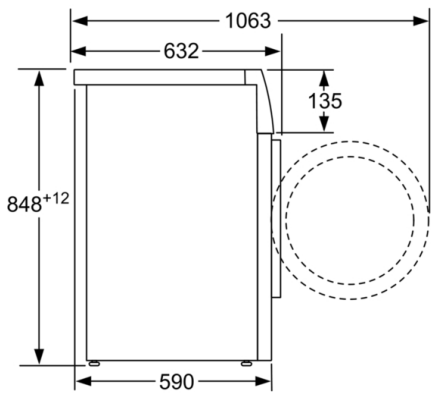
² Energy consumption in kWh per 100 cycles (in programme Eco 40-60)

³ Weighted water consumption in litres per cycle (in programme Eco 40-60)

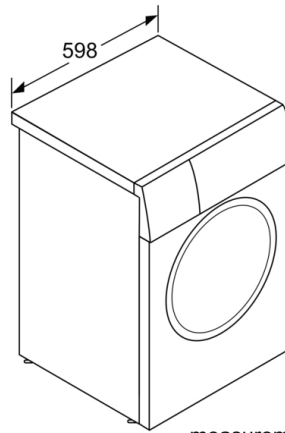
⁴ Duration of Eco 40-60 programme

^{**} Values are rounded.

**Series 8, Washing machine, front loader, 9
kg, 1600 rpm
WAX32LH9GB**



measurements in mm



measurements in mm