

**Series 8, Washing machine, front loader, 9 kg, 1400 rpm
WAV28EH3GB**



The Serie|8 i-DOS washer with Home Connect and 4D Wash System with Intensive Plus provides spotless results with every load.

- **i-DOS:** automatically measures the required amount of detergent and water for your cycle.
- **AntiStain Plus:** removes up to 16 kinds of stubborn stains without pre-treatment.
- **4D Wash System:** highly efficient water and detergent penetration for spotless results.
- **Home Connect:** home appliances with smart connectivity for an easier everyday life.
- **Easy Start Guide:** effortless programme selection.

Technical Data

Energy Efficiency Class:	A
Weighted energy consumption in kWh per 100 washing cycles of eco 40-60 programme:	48 kWh
Maximum capacity in kg:	9.0 kg
The water consumption of the eco programme in liters per cycle:	48 l
Duration of eco 40-60 programme in hours and mins at rated capacity:	3:44 h
Spin-drying efficiency class of eco 40-60 programme:	B
Airborne acoustical noise emission class:	A
Airborne acoustical noise emissions :	69 dB(A) re 1 pW
Built-in / Free-standing:	Freestanding
Dimensions of the product:	848 x 598 x 590 mm
Net weight:	82.8 kg
Connection rating:	2300 W
Fuse protection:	10 A
Voltage:	220-240 V
Frequency:	50 Hz
Length electrical supply cord:	210.0 cm
Door hinge:	Left
Wheels:	No
EAN code:	4242005258055
Installation typology:	Free-standing

Optional accessories

WMZ2200	Floor securing component
WMZ2381	Extension for cold water inlet /Aquastop
WMZPW20W	Platform with pull-out, washer, cubic



Series 8, Washing machine, front loader, 9 kg, 1400 rpm WAV28EH3GB

The Serie|8 i-DOS washer with Home Connect and 4D Wash System with Intensive Plus provides spotless results with every load.

Performance

- Energy Efficiency Class¹: A
- Energy² / Water³: 48 kWh / 48 litres
- Load capacity: 1 - 9 kg
- Programme duration⁴: 3:44 h:min
- Spin drying efficiency class: B
- Spin speed^{**}: 400 - 1400 rpm
- Noise level: 69 dB (A) re 1 pW
- Noise efficiency class: A

Programmes/functions

- Standard programmes: cottons, easy care, delicates, wool hand wash
- Special programmes: Allergy +, Drain, Automatic Gentle, Automatic, Drum clean with reminder, Shirts, Dark Wash, Spin, Mixed Load, Sportswear, Single Rinse, Duvet, Super Quick 15/30

Key features

- Home Connect: Remote Monitoring and Control, Remote diagnostics, Energy Management Photovoltaic
- i-DOS: automatic dosing of liquid detergent and softener
- AntiStain with 16 stain options
- Options: 1 - 3 additional rinse cycles, Easy iron, Soaking, AntiStain +, i-DOS 2.0 1, i-DOS 2.0 2, Intensive Plus, SpeedPerfect, Rinse hold, Prewash, Water plus
- Touch control buttons: Prog 3 sec., On/off, Ready in, i-DOS 2.0, Intensive Plus, options, Remote Start, start/pause with reload function, Temperature selection, SpeedPerfect, Spin speed reduction/Rinse Hold

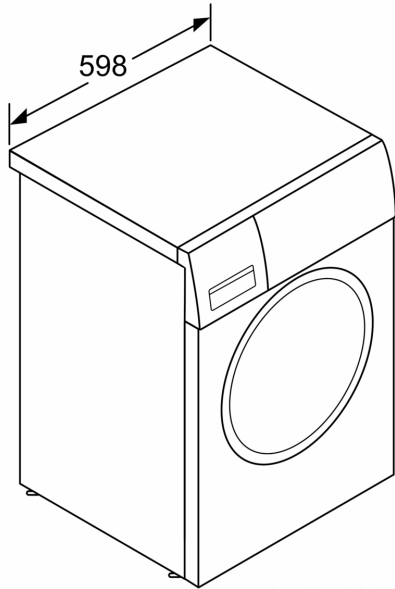
Additional features

- Reload function: Flexibility to add or remove laundry items of any size even after start of the wash cycle.
- TFT display: Clear text and high resolution for easy use with display of programme indication, temperature selection, spin speed, remaining time, 24 hour time delay and consumption indication
- 4D Wash System: highly efficient water and detergent fabric penetration for spotless results.
- Drum volume: 65 litres
- Drum interior light
- VarioDrum: gentle and efficient washing
- Drum clean with reminder function
- Large chrome, white door with 180° opening
- Reload function: Flexibility in adding laundry items into the drum, even after the wash cycle has started.
- EcoSilence drive with 10 year warranty
- EcoSilence drive with 10 year warranty
- ActiveWater Plus: for highly efficient use of water even with smaller loads thanks to automatic load detection.
- Consume indicator energy+water, Load scale and detergent dosage recommendation, AntiStain
- AntiVibration Design - for more stability and quietness
- Sound insulation by additional noise reduction material
- Sound insulation by additional noise reduction material
- Turbidity sensor
- AquaStop: Bosch home appliance with lifetime warranty against

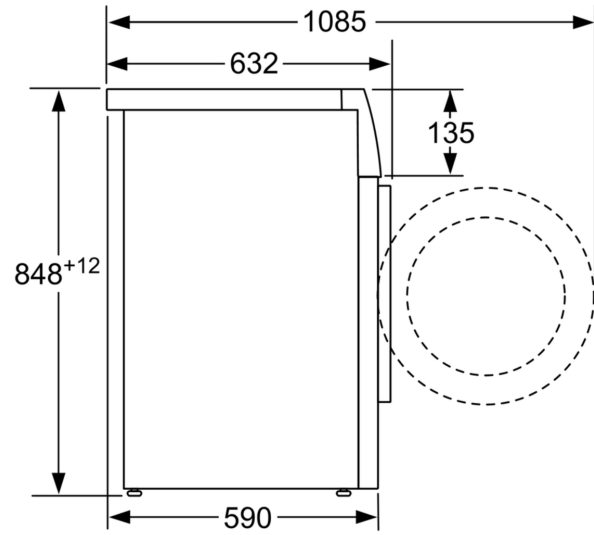
water damage*

- EcoBar Plus function: five possible levels of energy and water consumption

**Series 8, Washing machine, front
loader, 9 kg, 1400 rpm
WAV28EH3GB**



measurements in mm



measurements in mm