

**Series 6, Washing machine, front loader, 9 kg, 1400 rpm, Silver inox WAU28TS1GB**



**The washing machine with EcoSilence Drive™: enjoy supremely quiet operation and excellent durability.**

- **EcoSilence Drive™:** quiet and energy-efficient drive, with a 10-year warranty.
- **AllergyPlus:** developed for allergy sufferers and people with sensitive skin.
- **SpeedPerfect:** perfectly clean in up to 65% less time\*.
- **VarioDrum:** gentle washing thanks to a unique drum structure.
- **ActiveWater Plus:** For highly efficient use of water even with smaller loads thanks to automatic load detection.

**Technical Data**

Energy Efficiency Class: C

Weighted energy consumption in kWh per 100 washing cycles of eco 40-60 programme: 66 kWh

Maximum capacity in kg: 9.0 kg

The water consumption of the eco programme in liters per cycle: 44 l

Duration of eco 40-60 programme in hours and mins at rated capacity: 3:37 h

Spin-drying efficiency class of eco 40-60 programme: B

Airborne acoustical noise emission class: A

Airborne acoustical noise emissions : 72 dB(A) re 1 pW

Construction type: Free-standing

Height of removable worktop: 0 mm

Dimensions of the product: 848 x 598 x 590 mm

Net weight: 68.8 kg

Connection rating: 2300 W

Fuse protection: 10 A

Voltage: 220-240 V

Frequency: 50 Hz

Length of electrical supply cord: 210 cm

Door hinge: Left

Wheels: No

EAN code: 4242005241002

Installation type: Free-standing



4 242005 241002

## Series 6, Washing machine, front loader, 9 kg, 1400 rpm, Silver inox WAU28TS1GB

### The washing machine with EcoSilence Drive™: enjoy supremely quiet operation and excellent durability.

- silver inox Edition

#### Performance

- Energy Efficiency Class<sup>1</sup>: C
- Energy<sup>2</sup> / Water<sup>3</sup>: 66 kWh / 44 litres
- Load capacity: 1 - 9 kg
- Programme duration<sup>4</sup>: 3:37 h:min
- Spin drying efficiency class: B
- Spin speed<sup>\*\*</sup>: 400 - 1400 rpm
- Noise level: 72 dB (A) re 1 pW
- Noise efficiency class: A

#### Programmes/functions

- Touch control buttons: Reduced Ironing option, Ready in, start/pause with reload function, Temperature selection, SpeedPerfect, Prewash, Spin speed reduction/Rinse Hold
- Standard programmes: cottons, easy care, delicates, wool hand wash
- Special programmes: Allergy +, Drum clean with reminder, Shirts, Jeans, Drain / Spin, Mixed Load, Sportswear, Single Rinse, Super Quick 15/30
- Safeguard monitoring system adjusts load distribution and programme settings to protect clothes

#### Key features

- SpeedPerfect: perfectly clean in up to 65% less time. \*\*\*
- Reload function: Flexibility in adding laundry items into the drum, even after the wash cycle has started.
- EcoSilence drive with 10 year warranty
- AntiVibration Design - for more stability and quietness

#### Additional features

- Large LED display for programme status indication, temperature, spin speed, remaining time and 24 hour time delay
- VarioDrum: gentle and efficient washing
- Drum clean with reminder function
- Consumption indicator energy
- Aqua Protection
- Foam detection system
- Overdosage indication
- Detergent dispensing: easy clean
- Divider for Liquid Detergent
- Child lock
- Acoustic signals: Buzzer

#### Technical Information

- Slide-under installation
- Drum volume: 63 litres
- Large Silver-inox, black-grey door with 171° opening
- Dimensions (H x W): 84.8 cm x 59.8 cm
- Appliance depth: 59.0 cm
- Appliance depth incl. door: 63.2 cm
- Appliance depth with open door: 106.3 cm

<sup>1</sup> Scale of Energy Efficiency Classes from A to G

<sup>2</sup> Energy consumption in kWh per 100 cycles (in programme Eco 40-60)

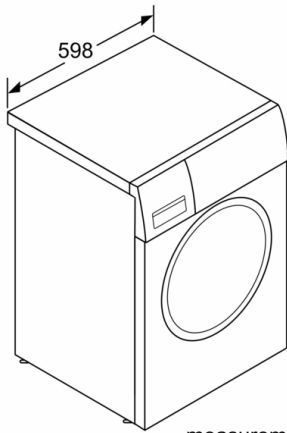
<sup>3</sup> Weighted water consumption in litres per cycle (in programme Eco 40-60)

<sup>4</sup> Duration of Eco 40-60 programme

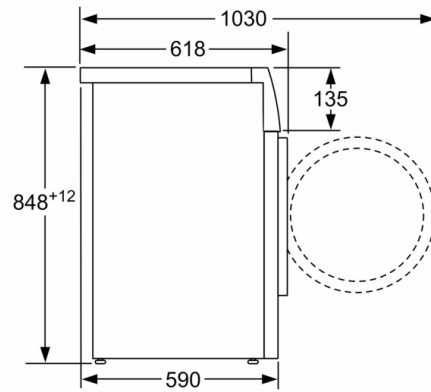
\*\* Values are rounded.

\*\*\* Comparison between the program duration of Easy-care 40°C and the program duration of Easy-care 40°C + activated Speed option

**Series 6, Washing machine, front loader, 9  
kg, 1400 rpm, Silver inox  
WAU28TS1GB**



measurements in mm



measurements in mm