

**Series 6, Washing machine, front loader, 9 kg, 1600 rpm
WAT32480GB**



Washing machines with EcoSilence Drive™: enjoy supremely quiet operation and excellent durability.

- **EcoSilence Drive™:** quiet and energy-efficient drive, with a 10-year warranty.
- **AllergyPlus:** developed for allergy sufferers and people with sensitive skin.
- **VarioDrum:** gentle washing thanks to a unique drum structure.
- **ActiveWater Plus:** For highly efficient use of water even with smaller loads thanks to automatic load detection.
- **Start delay and remaining time indication on large LED display.**

Technical Data

Maximum capacity in kg:	9.0 kg
Built-in / Free-standing:	Freestanding
Height of removable worktop:	-2 mm
Dimensions of the product:	848 x 598 x 590 mm
Net weight:	79.9 kg
Connection rating:	2300 W
Fuse protection:	10 A
Voltage:	220-240 V
Frequency:	50 Hz
Length electrical supply cord:	160.0 cm
Door hinge:	Left
Wheels:	No
EAN code:	4242002863641
Installation typology:	Free-standing



Optional accessories

WMZ20430	Built-under kit
WMZ20490	Platform with pull-out
WMZ2200	Floor securing component
WMZ2381	Extension for cold water inlet /Aquastop

Series 6, Washing machine, front loader, 9 kg, 1600 rpm WAT32480GB

Washing machines with EcoSilence Drive™: enjoy supremely quiet operation and excellent durability.

Performance

- Energy Efficiency Class: A+++
- Capacity: 9 kg
- Maximum spin speed: 1600rpm**
- A spin class
- Energy consumption :Weighted p.a. E-Consump. EU: 152 kWh kWh per year, based on 220 standard washing cycles
- -30% more economical (152kWh/year) than the standard value (217 kWh/year) of energy efficiency class A+++
- Cottons 60 Eco and Cottons 40 Eco are the standard washing programmes to which the information in the label relates. These programmes are suitable to clean normally soiled cotton laundry and are the most efficient programmes in terms of combined energy and water consumption.
- Energy consumption: standard 60 °C cotton programme 0.92 kWh full load and 0.59 kWh partial load and 40 °C cotton programme 0.41 kWh partial load
- Water consumption 11220 litres per year, based on 220 standard washing cycles
- Weighted power consumption off-mode / left-on mode: 0.12 W / 0.43 W
- Programme time:60 °C cotton programme 285 min at full load 285 min at partial load and 40 °C cotton programme 285 min partial load
- Left-on Mode Duration: 0 min
- Drum volume: 63 litres
- Noise level washing : 48dB (A) re 1pW: Noise level spinning:74dB (A) re 1 pW

Programmes/functions

- Special programmes: Down Wear, Drum clean, Shirts, Sportswear, Mixed Load, Drain / Spin, Allergy +, Super Quick 15/30, Quiet Wash, Wool, Delicates/silk
- Touch control buttons: Prewash, Ready in, Temperature selection, start/pause with reload function, SpeedPerfect, EcoPerfect, Aqua Plus, Spin speed reduction

Key features

- Fully electronic metal control dial for wash programmes, temperature and special programmes
- VarioPerfect: speed or energy efficiency with perfect wash performance every time
- EcoBar: Information about energy consumption
- EcoSilence drive with 10 year warranty
- AntiVibration Design - for more stability and quietness
- Reload function: Flexibility to add or remove laundry items of any size even after start of the wash cycle.

Additional features

- Large LED display for programme status indication, temperature, spin speed, remaining time and 24 hour time delay
- VarioDrum: gentle and efficient washing

- DrumClean programme without reminder function
- 3D AquaSpa wash system with cascade for faster water penetration
- Safeguard monitoring system adjusts load distribution and programme settings to protect clothes
- Detergent dispensing: easy clean
- Overdosage indication
- Metal door catch
- Child lock
- Buzzer to indicate the end of cycle

Technical Information

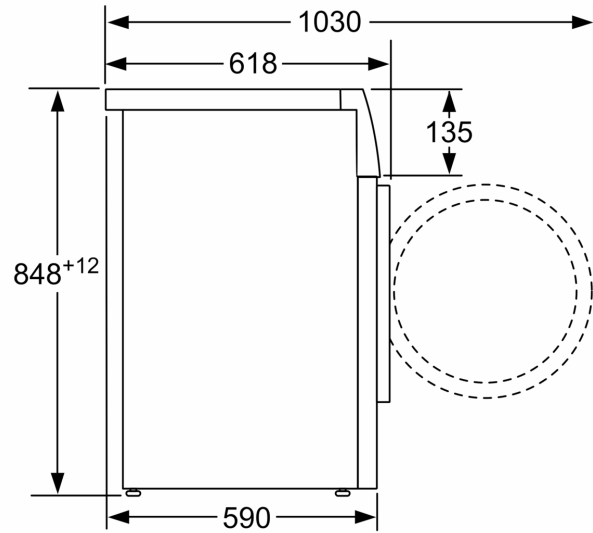
- Slide-under installation
- Dimensions (H X W X D): 84.8 x 59.8 x 63.2 cm
- Large chrome, blackgrey door with 171° opening and 32cm porthole opening

** Values are rounded.

**Series 6, Washing machine, front
loader, 9 kg, 1600 rpm
WAT32480GB**



measurements in mm



measurements in mm