

**Series 6, Washing machine, front loader, 9 kg, 1400 rpm
WAT28450GB**



Washing machines with EcoSilence Drive™: enjoy supremely quiet operation and excellent durability.

- **EcoSilence Drive™:** quiet and energy-efficient drive, with a 10-year warranty.
- **AllergyPlus:** developed for allergy sufferers and people with sensitive skin.
- **VarioDrum:** gentle washing thanks to a unique drum structure.
- **ActiveWater Plus:** For highly efficient use of water even with smaller loads thanks to automatic load detection.
- **Start delay and remaining time indication on large LED display.**

Technical Data

Maximum capacity in kg:	9.0 kg
Built-in / Free-standing:	Freestanding
Height of removable worktop:	0 mm
Dimensions of the product:	848 x 598 x 590 mm
Net weight:	69.8 kg
Connection rating:	2300 W
Fuse protection:	10 A
Voltage:	220-240 V
Frequency:	50 Hz
Length electrical supply cord:	210.0 cm
Door hinge:	Left
Wheels:	No
EAN code:	4242005040551
Installation typology:	Free-standing



Optional accessories

- WMZ20490 Platform with pull-out
- WMZ2200 Floor securing component
- WMZ2381 Extension for cold water inlet /Aquastop

Series 6, Washing machine, front loader, 9 kg, 1400 rpm WAT28450GB

Washing machines with EcoSilence Drive™: enjoy supremely quiet operation and excellent durability.

Performance

- Energy Efficiency Class: A+++
- Capacity: 9 kg
- Maximum spin speed: 1400rpm**
- B spin class
- Energy consumption :Weighted p.a. E-Consump. EU: 152 kWh kWh per year, based on 220 standard washing cycles
- -30% more economical (152kWh/year) than the standard value (217 kWh/year) of energy efficiency class A+++
- Energy consumption: standard 60 °C cotton programme 0.92 kWh full load and 0.59 kWh partial load and 40 °C cotton programme 0.41 kWh partial load
- Cottons 60 Eco and Cottons 40 Eco are the standard washing programmes to which the information in the label relates. These programmes are suitable to clean normally soiled cotton laundry and are the most efficient programmes in terms of combined energy and water consumption.
- Weighted power consumption off-mode / left-on mode: 0.12 W / 0.43 W
- Left-on Mode Duration: 0 min
- Water consumption 11220 litres per year, based on 220 standard washing cycles
- Programme time:60 °C cotton programme 285 min at full load 285 min at partial load and 40 °C cotton programme 285 min partial load
- Drum volume: 63 litres
- Noise level washing : 49dB (A) re 1pW: Noise level spinning:75dB (A) re 1 pW

Programmes/functions

- Touch buttons: start/pause with reload function, Reduced Ironing option, Spin speed reduction, Temperature selection, SpeedPerfect, EcoPerfect, Aqua Plus and 24 h, Ready in
- Special programmes: Easy-Care, Down Wear, Dark Wash, Drum clean, Shirts, Sportswear, Mixed Load, Drain / Spin, Allergy +, Super Quick 15/30, Quiet Wash, Rinse, Handwash/Wool, 20°C, 40°C, Wool Programme, Delicate / Silk
- Safeguard monitoring system adjusts load distribution and programme settings to protect clothes

Key features

- Fully electronic control dial for wash programmes, temperature and special programmes
- EcoBar: Information about energy consumption
- VarioPerfect: speed or energy efficiency with perfect wash performance every time
- ActiveWater: water management system
- EcoSilence Drive
- AntiVibration Design - for more stability and quietness
- Reload function: Flexibility in adding laundry items into the drum, even after the wash cycle has started.

Additional features

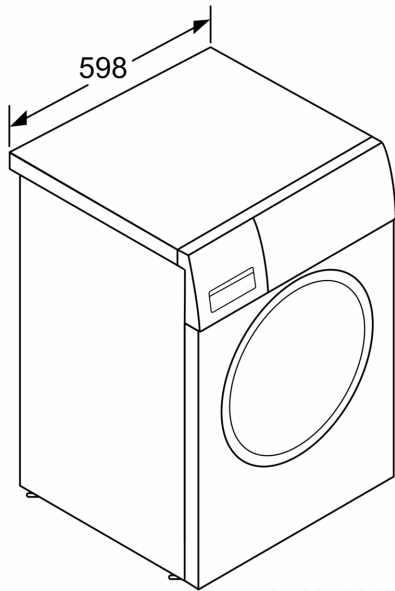
- Large LED display for programme status indication, temperature, spin speed, remaining time and 24 hour time delay
- VarioDrum: gentle and efficient washing
- 3D AquaSpa wash system with cascade for faster water penetration
- DrumClean programme without reminder function
- Reload facility
- Detergent dispensing: easy clean
- Divider for Liquid Detergent
- Flow-through sensor for optimum water use
- Aqua Protection
- Continuous automatic load adjustment system
- Overdosage indication
- Foam detection system
- Child lock
- Buzzer to indicate the end of cycle
- Sound insulation by additional noise reduction material

Technical Information

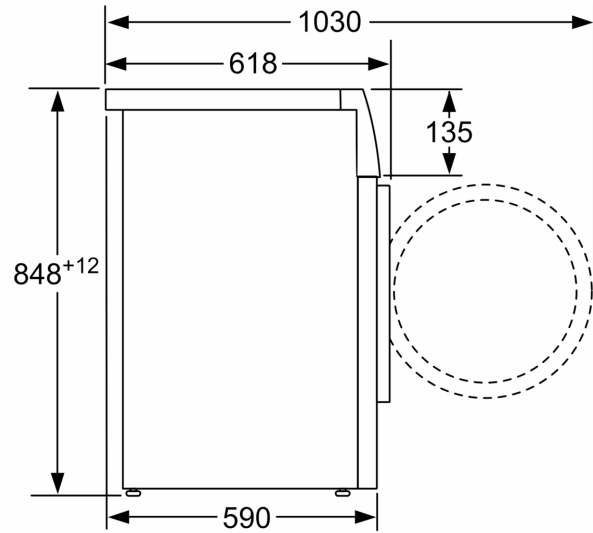
- Dimensions (H X W X D): 84.8 x 59.8 x 63.2 cm
- Slide-under installation
- Large Alu-Look, white door with 171° opening and 32cm porthole opening

** Values are rounded.

**Series 6, Washing machine, front
loader, 9 kg, 1400 rpm
WAT28450GB**



measurements in mm



measurements in mm